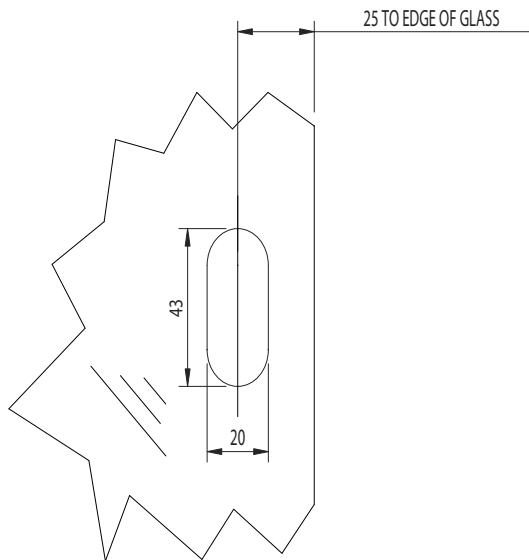
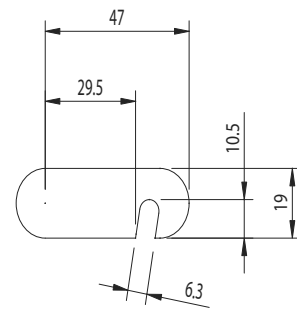


NOTE:
CAN CLOSE TO EITHER THE LEFT OR RIGHT.
SUPPLIED WITH EITHER PLAIN OR NOTCHED
TONGUE.



HOLE SIZE REQUIRED IN GLASS



NOTCHED TONGUE DETAILS

Revision

C

Change Number

CN0016

This drawing and its contents are the copyright of T Saveker Ltd. It shall not be used or passed on for any reason other than for the purchase or specification of T Saveker's products.

DRAWN BY **NS**
 CHECKED BY **MT**
 APPROVED BY **DSSM**



T. Saveker Ltd.
 101 Aldridge Road
 Birmingham B42 2TS
 United Kingdom

t +44 (0) 121 331 1903
 f +44 (0) 121 331 1900
 e info@savekers.com
 w www.savekers.com

MATERIAL

DATE **08-07-2002**

Do not Scale
 If In Doubt - Please Ask

DIM IN MM
 THIRD ANGLE PROJECTION

TITLE **SINGLE BOTTOM TRACK**

TOLERANCES
LINEAR ± 0.1
ANGULAR ± 0.5°

SCALE **1:2**



A4