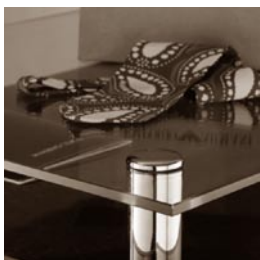




products & solutions

## Counters, Cabinets & Fittings





# company



## Company Info

Savekers Ltd



### Our Solutions

With an enviable pedigree and heritage, together with more than 100 years as an established specialist in quality manufacturing, Savekers Ltd offers a level of production and service unrivalled in our field.

Building on the strengths and resource of the founding company, T Saveker Ltd, and through acquisitions and product diversification, we aim to provide an ever-evolving level of customer support through exceptional customer service and skilled bespoke and standard product manufacture.

All aspects of the Company and the skills within, join to collectively meet customer requirements across a range of disciplines and market sectors. These include shopfittings, POS, internet & IT solutions, metalwork, joinery, commercial & business support.

### Metalwork Manufacture

Whether the requirement is for standard or bespoke products, for various applications, we are positioned to provide unrivalled products and solutions across a diverse range of architectural metalwork materials and finishes.

Alongside our specialist CAD technical design team, is our comprehensive 45,000 square foot production facility, which spans water jet cutting, CNC machining, NC bending, welding, polishing, general fabrication, anodising and chrome plating.

Our ever-growing portfolio of architectural metalwork products, recognised as one of the most comprehensive in the UK, provides solutions for local authorities, the retail sector, exhibitions, financial institutions, leisure & entertainment, construction – to name but a few.



### Joinery Manufacture

As a specialist in the design and manufacture of high quality, stylish bespoke woodworking solutions, we are able to produce functional and beautifully crafted designs across a range of uses, applications and sectors.

Our team of skilled craftsmen are experienced in working with all types of wood - solid wood, real wood, veneer, laminate, and to incorporate glass, metalwork, or solid-surfacing. Furthermore, we operate a strict process of traceability to ensure that we only purchase timber from sustainable forests by sourcing material from registered environmentally friendly sources. Whatever the project nature or size, we will work from existing designs or through working closely with customers, to produce new designs utilising our established in-house CAD designers and facilities. Solutions may include timber reception desks, bars, counters, cabinets, storage units, POS and retail display shelving and furniture.

t +44 (0)121 331 1903  
f +44 (0)121 331 1900  
e [info@savekers.com](mailto:info@savekers.com)  
w [www.savekers.com](http://www.savekers.com)

Please refer to our standard Terms & Conditions.  
Visit our website or contact us for a copy.

**Savekers Limited**  
101 Aldridge Road, Perry Barr,  
Birmingham, B42 2TS,  
United Kingdom



# products

## Contents

### Counters, Cabinets & Fittings



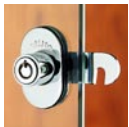
#### Raptic Modular System

A standard range of single, double, angled and curved units are available to create reception counters, cash and wrap units, display units and desks. Bespoke counters and cabinets can be manufactured as required.



#### Feet & Legs

Wide range of standard and bespoke legs and adjustable feet available in various diameters and finishes.



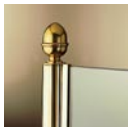
#### Cabinet Locks

A range of high security locks ideal for use on glass or wooden cabinets. Can be supplied as stand alone items or fitted to cabinets etc at time of manufacture if applicable. Locks can be specified to pass or differ.



#### Shelf Strips

Simple, flexible and discrete system for using inside counters and cabinets as well as for book cases. Available in a range of finishes.



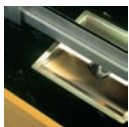
#### Screen Pillars

Our standard range extends to a selection of metalwork pillars of differing heights and combination of angles. Functional and decorative pillars available as standard or to bespoke designs.



#### Decorative Fittings

A range of decorative and functional products to accessorise counters and cabinets in a wide range of materials and finishes. Range includes glass top supports and fiddle rails.



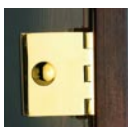
#### Cash Handling & Vents

A selection of cash handling trays for simple and secure cash transfer plus cash till inserts and cash bowls. Ventilation plates are available in a range of sizes.



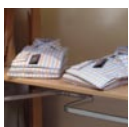
#### Connectors & Dividers

Comprehensive range of connectors and dividers. Choose from riser pillars, to slot around and fix panels that are ideal for counter top displays. Limitless options and configurations available.



#### Hinges & Accessories

Include a range of hinges, finger pulls and port holes for cables or worktop fittings.



#### Bespoke Manufacturing & Retail Systems

The Cantel Range of Retail Systems can be used to complement items shown in this brochure. We also have the ability to manufacture counters and cabinets to your bespoke design.



### Counters, Cabinets & Fittings

Our standard and bespoke range includes full display units through to accessories and complementary components. All items can be tailored to suit specific requirements and appearances.

### Related Product Ranges

- Sliding Door & Window Track
- Retail Systems
- Shelving Systems
- Leisure Range
- Protection Screens

Many of the products illustrated can be manufactured to customers' specific size and finish requirements. As manufacturers, we are happy to quote against specific requirements on receipt of sketches or drawings.

An on-line catalogue of standard products can be found on our website.

Please also refer to our standard Terms & Conditions. We reserve the right to amend designs and products without prior notification.

Please refer to our Cleaning & Maintenance Guidance sheet.

t +44 (0)121 331 1903  
f +44 (0)121 331 1900  
e [info@savekers.com](mailto:info@savekers.com)  
w [www.savekers.com](http://www.savekers.com)

Please refer to our standard Terms & Conditions.  
Visit our website or contact us for a copy.

**Savekers Limited**  
101 Aldridge Road, Perry Barr,  
Birmingham, B42 2TS,  
United Kingdom

Revised: November 2006

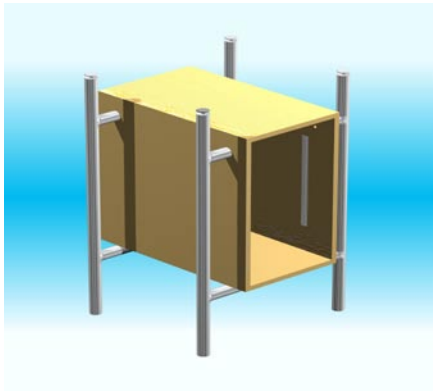


# products



## Basic Units

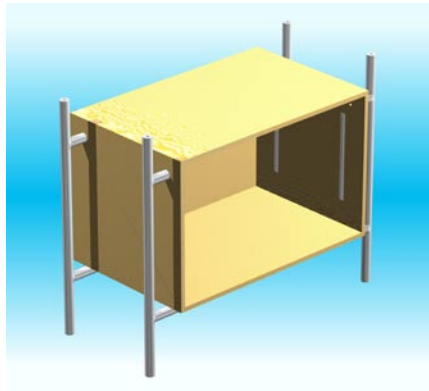
Rapic Modular System



H1030

Modular system created from a basic range of units which can provide storage and display for every application and environment. The units can be joined together to create a varied range of formats, from basic counters to a fully built tailored island - all to your requirements. The system can be specified in a range of finishes to suit the surroundings and any particular branding.

**H1030** RAPIC Single Base Unit. Standard unit has solid back and sides with open front. Overall height of unit is 600mm x 350mm wide x 600mm deep. Includes internal pre fitted shelf strip. Available in maple, oak or cherry effect. Other finishes available on request.

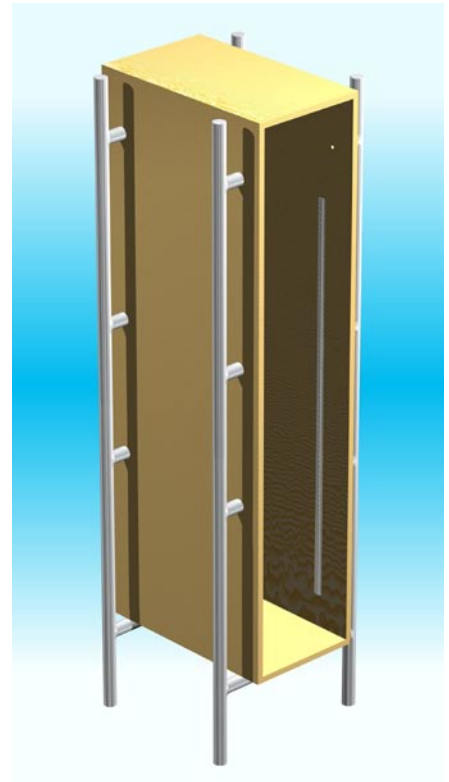


H1031

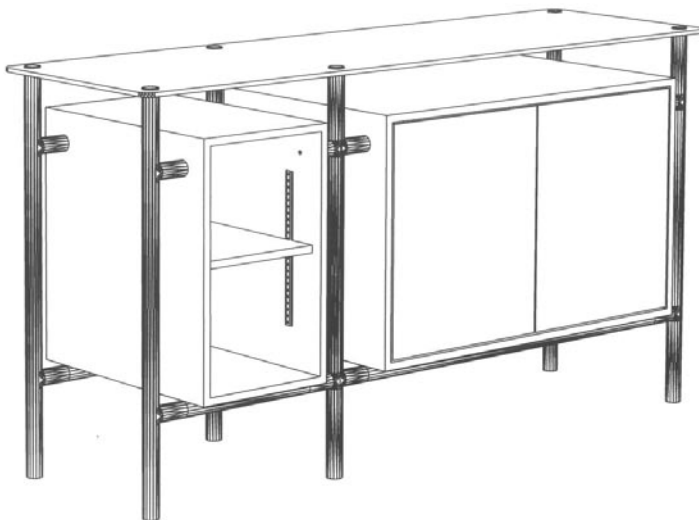
**H1031** RAPIC Double Counter Unit. Standard unit has solid back and sides with open front. Overall height is 600mm x 950mm wide x 600mm deep. Includes pre fitted shelf strip. Available in maple, oak or cherry effect. Other finishes available on request.

**H1032** RAPIC Single Tall Unit . Standard unit has solid back and sides with open front. Overall height is 1650mm x 350mm wide x 600mm deep. Includes pre fitted shelf strip. Available in maple, oak or cherry effect. Other finishes available on request.

See Page 5 for H1040 legs.



H1032



Single unit with drawers

t +44 (0)121 331 1903  
 f +44 (0)121 331 1900  
 e info@savekers.com  
 w www.savekers.com

Please refer to our standard Terms & Conditions.  
 Visit our website or contact us for a copy.

**Savekers Limited**  
 101 Aldridge Road, Perry Barr,  
 Birmingham, B42 2TS,  
 United Kingdom

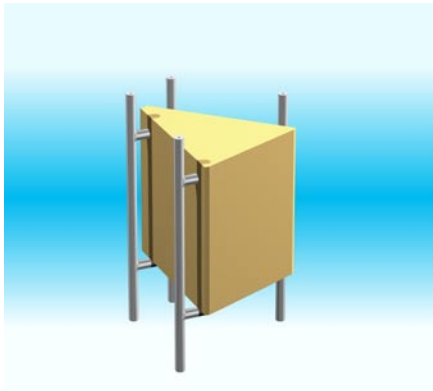


# products

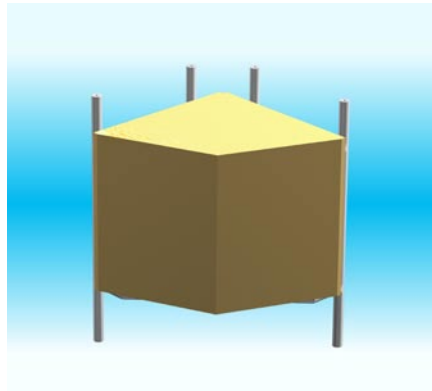


## Basic Units

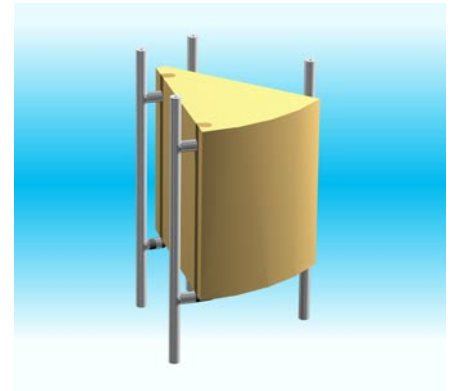
Rapic Modular System



H1033



H1034 Shown with optional solid front



H1035

**H1033** RAPIC 45° Corner Unit. Standard unit has solid back and sides with closed front. Overall height is 600mm x 492mm maximum width x 600mm deep. Available in maple, oak or cherry effect. Other finishes available on request.

**H1035** RAPIC 45° Curved Unit. Standard unit has solid back and sides with closed front. Overall height is 600mm x 492mm maximum width x 600mm deep. Available in maple, oak or cherry effect. Other finishes available on request.

**H1034** RAPIC 90° Corner Unit. Standard unit has solid back and sides with open front. Overall height is 600mm x 874mm maximum width x 600mm deep. Available in maple, oak or cherry effect. Other finishes available on request.

See Page 5 for H1040 legs.



Single unit with drawers



Sample configuration including legs, feet and glass work surfaces

t +44 (0)121 331 1903  
 f +44 (0)121 331 1900  
 e info@savekers.com  
 w www.savekers.com

Please refer to our standard Terms & Conditions.  
 Visit our website or contact us for a copy.

Savekers Limited  
 101 Aldridge Road, Perry Barr,  
 Birmingham, B42 2TS,  
 United Kingdom

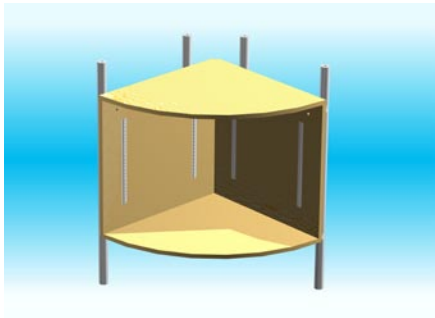


# products



## Basic Units

### Rapic Modular System



H1036

**H1036** RAPIC 90 deg Curved Unit. Standard unit has solid back and sides with open front. Overall height is 600mm x 874mm maximum width x 600mm deep. Available in maple, oak or cherry effect. Other finishes available on request.



H1037

**H1037** RAPIC 90 deg Tall Corner Unit. Standard unit has solid back and sides with open front. Overall height is 1650mm x 874mm maximum width x 600mm deep. Available in maple, oak or cherry effect. Other finishes available on request.



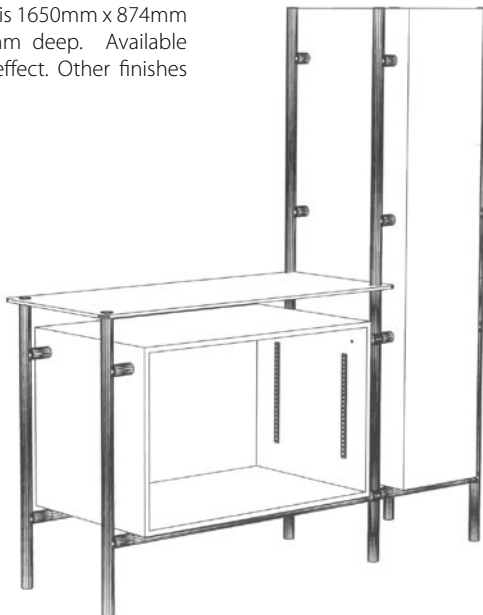
H1038

**H1038** RAPIC 90 deg Tall Curved Unit. Standard unit has solid back and sides with open front. Overall height is 1650mm x 874mm maximum width x 600mm deep. Available in maple, oak or cherry effect. Other finishes available on request.

**H1040** Pair of side legs for basic counter units. Legs can be specified as ends and centres. Main upright is from 38mm dia tube with 32mm dia crossrails and mounts for easy assembly. Legs include a domed top cap which can pass through glass or timber work surfaces. Satin chrome plated as standard with other finishes available on request.



H1040



Double Unit with Glass Top

t +44 (0)121 331 1903  
 f +44 (0)121 331 1900  
 e info@savekers.com  
 w www.savekers.com

Please refer to our standard Terms & Conditions.  
 Visit our website or contact us for a copy.

**Savekers Limited**  
 101 Aldridge Road, Perry Barr,  
 Birmingham, B42 2TS,  
 United Kingdom

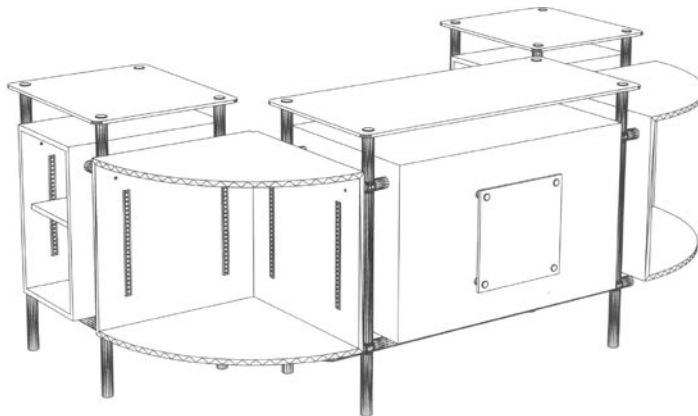


# products



## Accessories

Rapic Modular System



H190



H256

**H190** Glass counter top or front panel support pillar. Available as 38mm or 51mm diameter pillar 76mm high with domed top fixing or other heights made to order. Bolts through counter top from underside. Requires a 14mm diameter fixing hole in the glass and a 14mm diameter hole in the counter. Please advise glass thickness and counter thickness when ordering. Polished Brass. Chrome. Satin Chrome. Stainless Steel.

**H256** 38mm counter leg with H198 adjustable foot providing up to 30mm height adjustment. 100mm square top plate. Height 150mm or 250mm when closed or other heights made to order. Chrome. Satin Chrome.



### Accessories

Code	Product	End Leg Set (Pair) (H1040)	Centre Leg Set (Pair) (H1040)	Leg with adjustable foot (H256)	Single Hinged Door Set	Double Hinged Door Set	Double Wooden Sliding Door Set	Glass Sliding Door Set	Wooden Top Double	Glass Top Double	Wooden Top Single	Glass Top Single	Wooden 90° Curved Corner Top	Glass 90° Curved Corner Top	Double Width Shelf Set	Single Width Shelf Set	90° corner shelf set	Counter Top/Front Support (H190)	Horizontal Rail Set
H1030	Single Base Unit	•	•	•	•						•	•						•	•
H1031	Double Base Unit	•	•	•		•	•	•	•	•					•			•	•
H1032	Single Tall Unit	•	•	•	•						•	•						•	•
H1033	45° Corner Unit	•	•	•														•	•
H1034	90° Corner Unit	•	•	•									•	•				•	•
H1035	45° Curved Unit	•	•	•														•	•

Product and Accessory compatibility chart.

See other ranges for additional accessories.

t +44 (0)121 331 1903  
 f +44 (0)121 331 1900  
 e info@savekers.com  
 w www.savekers.com

Please refer to our standard Terms & Conditions.  
 Visit our website or contact us for a copy.

**Savekers Limited**  
 101 Aldridge Road, Perry Barr,  
 Birmingham, B42 2TS,  
 United Kingdom

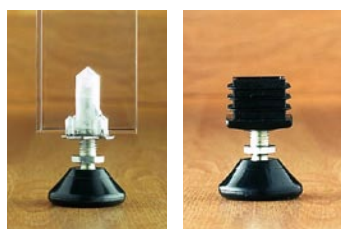


# products



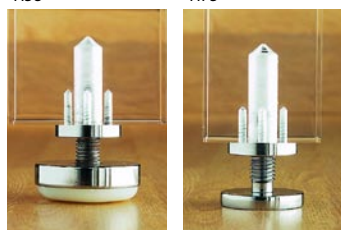
## Feet & Legs

### Counters, Cabinets & Fittings



H58

H75



H82

H198



H172



H256



H435



H3065

Many of the legs shown can also be supplied in a powder coated finish in a range of colours. Minimum order quantity will apply. Satin chrome finishes will have a linear grain pattern on the stems.

**H58** Drive-in adjustable foot with steel insert and black plastic base. Foot pivots 25° from vertical. Provides up to 13mm height adjustment Requires 9.5mm diameter hole in leg for fixing.

**H75** Adjustable foot for 25mm square 16g tube with steel adjuster and black plastic base and insert Foot pivots 25° from vertical. Provides up to 13mm height adjustment.

**H82** Nylon pad adjustable foot 51mm diameter base, 32mm diameter top plate, 12mm diameter stem. Provides up to 30mm height adjustment. Chrome. Satin Chrome.

**H172** Counter leg with adjustable foot. 25mm or 32mm diameter with H58 type pivoting adjustable foot providing up to 13mm height adjustment. 75mm square top plate. Up to 250mm high when closed or other heights made to order. Chrome. Satin Chrome.

**H198** Adjustable foot. 38mm diameter base, 32mm diameter top plate, 12mm diameter stem. Provides up to 30mm height adjustment. Chrome. Satin Chrome.

**H256** 38mm counter leg with H198 adjustable foot providing up to 30mm height adjustment. 100mm square top plate. Height 150mm or 250mm when closed or other heights made to order. Chrome. Satin Chrome.

**H435** 51mm counter leg with H82 nylon pad adjustable foot providing up to 30mm height adjustment with 100mm square top plate. Sliding, outer sleeve drops down to cover gap between foot and leg when height is extended giving a neat appearance. Height 150mm when closed. Chrome. Satin Chrome.

**H1402** Support column to create three shelf display units. Each leg set comprises one base section with foot, one centre section and one top section with screw in top cap. Each section available as 250mm high by either 25mm, 32mm, 38mm or 51mm dia with screw in top cap. Other heights can be made to order. Requires a 14mm diameter hole to be drilled in shelf for each leg section. Can also be supplied with 100mm diameter base plate for floor fixing Polished Brass. Chrome. Satin Chrome. Stainless Steel.

**H3065** 25mm square counter leg with H75 type pivoting adjustable foot for providing up to 13mm height adjustment 75mm square top plate. 175mm high when closed. Chrome. Satin Chrome. Matt Black.



H1402 (4 sets shown)

t +44 (0)121 331 1903  
 f +44 (0)121 331 1900  
 e info@savekers.com  
 w www.savekers.com

Please refer to our standard Terms & Conditions.  
 Visit our website or contact us for a copy.

Savekers Limited  
 101 Aldridge Road, Perry Barr,  
 Birmingham, B42 2TS,  
 United Kingdom





# products

## Cabinet Locks

Counters, Cabinets & Fittings



H34



H34 (with notched tongue)



H73 (shown with lock)



H81



H168



H934



H941



H942



H962



H964



H967

All locks on this page are supplied with two keys. Extra security keys are available (H945). All high security locks have 100 differs available. Most lock centres can be changed without changing the entire lock (H910). Key numbers can be in suites to pass or to differ at no additional cost.

**H34** High security cam lock for 6mm or 10mm glass. Requires oval hole to be cut in glass to supplied template. Body 19mm diameter. Closes to either left or right. Supplied with plain or notched tongue. Chrome. Satin Chrome.

**H73** Front rim suitable for all locks on this page. 33mm front face diameter with 19mm internal diameter hole. 12mm deep. Chrome. Satin Chrome.

**H81** Eyelet for 6.4mm plungers. Chrome. Satin Chrome.

**H168** Drawer or door lock with five disc action and up to 75 differs. Body 19mm diameter, back 40mm wide x 38mm high. Chrome.

**H941** High security cam lock for a 6mm or 10mm hinging glass door. Requires 20mm diameter hole to be drilled in glass. Chrome. Satin Chrome.

**H942** High security cam lock for a pair of 6mm or 10mm hinging glass doors. Requires 20mm hole to be drilled in one of the doors. Extended front plate prevents undrilled doors from being opened. Tongue closes behind stop block which is fitted to floor of cabinet. Chrome. Satin Chrome.

**H934** High security cam lock for wooden doors. Body 19mm diameter. Closes to either left or right. Supplied with plain or notched tongue. Chrome. Satin Chrome.

**H962** High security drawer or door lock. Body 19mm diameter. Back plate 41mm square x 7mm thick. Supplied with catch plate. Chrome. Satin Chrome.

**H964** High security slam lock for drawer or door. Closes onto catch plate supplied and self locks. Body 19mm diameter. Back plate 41 mm square x 10mm thick. Chrome. Satin Chrome.

**H967** High security plunger lock. Body 19mm diameter. Suitable for use with H81 eyelet. Also available with standard lock centre H267. Chrome. Satin Chrome.

t +44 (0)121 331 1903  
f +44 (0)121 331 1900  
e info@savekers.com  
w www.savekers.com

Please refer to our standard Terms & Conditions.  
Visit our website or contact us for a copy.

Savekers Limited  
101 Aldridge Road, Perry Barr,  
Birmingham, B42 2TS,  
United Kingdom



# products



## Shelf Strips

Counters, Cabinets & Fittings



**H125** Self adhesive clear polyurethane shelf rest for use with glass shelves.

**H871** Shelf strip 19mm wide for recessed fitting. Supplied in 1.83m lengths. Chrome. Satin Chrome. Brass dye lacquered. Powder Coated Bronze. Unfinished Steel.

**H897** Bracket for H871 shelf strip. Use with H125 shelf rest for glass shelves. Chrome. Satin Chrome. Brass dye lacquered. Powder Coated Bronze. Unfinished Steel.

**H1955** Shelf strip 25mm wide for face fixing. Supplied in 1.83m lengths. Chrome. Satin Chrome. Brass dye lacquered. Powder Coated Bronze. Unfinished Steel.

**H1956** Shelf bracket for H1955 shelf strip. Use with H125 shelf rest for glass shelves. Chrome. Satin Chrome. Brass dye lacquered. Powder Coated Bronze. Unfinished Steel.

**H1959** Shelf bracket with peg for H1955 shelf strip. To fit, drill a 6mm diameter locating hole 6mm deep into shelf. Chrome. Satin Chrome. Brass dye lacquered. Powder Coated Bronze. Unfinished Steel.

**H2982** Slimlite shelf strip 10mm x 7mm. Supplied in 3.05m lengths. Chrome. Satin Chrome. Brass dye lacquered. Powder Coated Bronze. Unfinished Steel.

**H2983** Slimlite shelf bracket for H2982 strip. Use with H125 shelf rest for glass shelves. Chrome. Satin Chrome. Brass Dye Lacquered. Powder Coated Bronze. Unfinished Steel.



Assembled Shelf Strip

t +44 (0)121 331 1903  
 f +44 (0)121 331 1900  
 e info@savekers.com  
 w www.savekers.com

Please refer to our standard Terms & Conditions.  
 Visit our website or contact us for a copy.

**Savekers Limited**  
 101 Aldridge Road, Perry Barr,  
 Birmingham, B42 2TS,  
 United Kingdom



# products



## Screen Pillars

Counters, Cabinets & Fittings



H440 with H32



H495 End



H495 Corner



H567



H832



H1667 End



H1667 Corner

**H32** Handspace stop blocks, usually 50mm high, can be fitted to any of the pillars on this page to provide a gap between the counter and the glass.

**H440** Wall channel for 6mm or 10mm panels supplied in cut lengths up to 2m. Chrome. Satin Chrome. Brass Dye Lacquered. Powder Coated Bronze.

**H495** Round section pillars with 6mm or 10mm channels 25mm diameter stem on 75mm diameter base. Supplied as end, centre or any angle corner. Heights 375mm, 450mm, 525mm, 600mm, 750mm or other heights made to order. Chrome. Satin Chrome. Brass Dye Lacquered. Powder Coated Bronze.

**H567** Bold screen pillar for 6mm or 10mm panels. 51mm diameter stem on 100mm diameter base. Supplied as end, centre or any angle corner. Heights 300mm or 600mm or other heights made to order. Polished Brass. Chrome. Satin Chrome.

**H832** 38mm screen pillar with 6mm or 10mm channel. 38mm diameter stem on 75mm diameter base. Supplied as end, centre or corner. Heights 300mm, 450mm or 600mm or other heights made to order. Polished Brass. Chrome. Satin Chrome.

**H834** Decorative screen pillar with panel clips for 6mm or 10mm panels. 38mm diameter stem on 75mm diameter base with H611 panel clip & fixings for heights 300mm and 450mm or H612 panel clip & fixings for heights 600mm or above. Polished Brass. Chrome. Satin Chrome.

**H1667** Square tubular pillar with 6mm or 10mm channel. 25mm square stem on 63mm square base. Supplied as end, centre or 90° corner. Heights 375mm, 450mm, 525mm, 600mm or 750mm or other heights made to order. Chrome. Satin Chrome. Brass Dye Lacquered. Powder Coated Bronze. Anodised.



H834

t +44 (0)121 331 1903  
f +44 (0)121 331 1900  
e info@savekers.com  
w www.savekers.com

Please refer to our standard Terms & Conditions.  
Visit our website or contact us for a copy.

Savekers Limited  
101 Aldridge Road, Perry Barr,  
Birmingham, B42 2TS,  
United Kingdom



# products

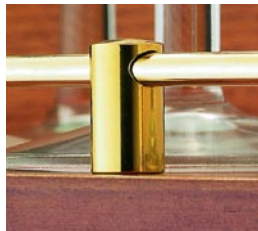


## Decorative Fittings

Counters, Cabinets & Fittings



H190



H483



H646



H1779



H2946

**H190** Glass counter top or front panel support pillar. Available as 38mm or 51mm diameter pillar 76mm high with domed top fixing or other heights made to order. Bolts through counter top from underside. Requires a 14mm diameter fixing hole in the glass and a 14mm diameter hole in the counter. Please advise glass thickness and counter thickness when ordering. Polished Brass. Chrome. Satin Chrome. Stainless Steel.

**H483** Guard rail pillar for through shelf fitting. Pillar is 25mm high overall from top of shelf and accepts 6mm rod. Requires 6mm hole to be drilled in shelf up to 20mm thick for fitting. Polished Brass. Chrome.

**H646** Ball top guard rail pillar for clamp fixing. Pillar is 45mm high overall from top of shelf and accepts 6mm rod. Threaded fixing clamps to the underside of shelves up to 10mm thick eliminating the need to drill for fitting. Polished Brass. Chrome.

**H1779** Tall ball top guard rail pillar for screw fixing. Pillar is 75mm high overall and accepts 13mm diameter tube. Available as end, centre, 90° or 135° corner. 30mm diameter fixing plate. Polished brass. Chrome. Satin Chrome.

**H2946** Ball top guard rail pillar for screw fixing. Pillar is 38mm high overall and accepts 6mm diameter rod. Available as end, centre and 90° or 135° corner. 25mm diameter fixing plate. Polished Brass. Chrome.

## Cash Handling

Counters, Cabinets & Fittings



H166



H187



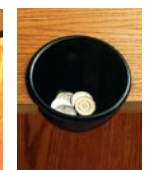
H309



H325



H355



H3081

**H166** Coin scoop 280mm wide, 250mm front to back x 45mm overall depth. Requires cut out 255mm x 224mm.

**H187** Cash transfer tray 250mm wide, 350mm front to back x 90mm overall depth. Requires cut out 240mm x 340mm.

**H309** Cash till insert formed in tough black ABS with two note clips. 332mm wide x 312mm front to back x 57mm overall depth.

**H325** Security transfer tray 300mm x 300mm x 120mm overall depth. Requires cut out 285mm x 285mm.

**H355** Cash drawer 355mm wide x 408mm front to back x 75mm deep formed in tough black ABS. Incorporates lock, pull handle and H309 cash till insert. Fits into black anodized aluminium frame 415mm square x 80mm deep which is screw fixed to underside of desk or counter. Catch plate for lock also fitted to underside of desk or counter acts as drawer stop.

**H3081** Cash bowl formed in tough black ABS. Hole fitting size 102mm diameter. 68mm overall depth.

t +44 (0)121 331 1903  
f +44 (0)121 331 1900  
e info@savekers.com  
w www.savekers.com

Please refer to our standard Terms & Conditions.  
Visit our website or contact us for a copy.

**Savekers Limited**  
101 Aldridge Road, Perry Barr,  
Birmingham, B42 2TS,  
United Kingdom



# products

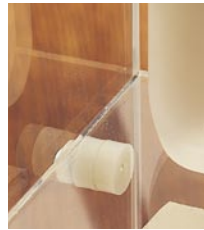


## Connectors & Dividers

Counters, Cabinets & Fittings



H88



H191



H192



H522



H2931



H2932

**H88** Universal binning clip for 6mm panels. 25mm high. Chrome. Satin Chrome.

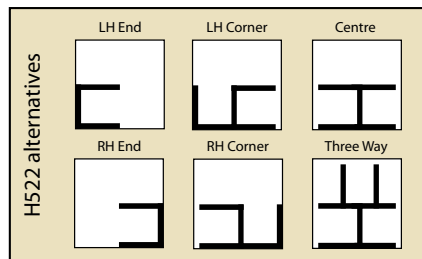
**H191** Shelf rest in white nylon with chrome capped screw. Requires a 4.5mm hole to be drilled in panel.

**H192** Frameless panel connector with chrome capped screws and nylon washers. 4.5mm holes 25.5mm centres from external corner. Suitable for panels up to 6mm thick. Chrome.

**H522** Riser pillar for 6mm panels with 38mm x 38mm fixing plate. Supplied as left or right hand ends, left or right hand corners, centre or three way. Height 100mm or 150mm. Chrome. Satin Chrome.

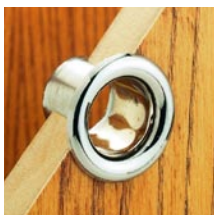
**H2931** Riser supports for 6mm panels. Supplied as left or right hand corners ends and centres, three way or channel. Height 75mm. Chrome.

**H2932** Binning clips for panels up to 6mm thick. Size 57mm x 57mm. Supplied as A three way, B four way or C corner. Chrome.



## Vents

Counters, Cabinets & Fittings



H320



H645



H1766



H3002

**H320** Porthole ventilator can be specified with gauze insect screen in Polished Brass. Chrome. Satin Chrome. Unfinished.

Fixing hole diameter	Shank length
9.95mm	10.0mm
12.90mm	10.0mm
16.20mm	13.0mm
19.28mm	25.0mm
25.65mm	25.0mm

**H645** Double row ventilator in widths 50mm, 75mm or 100mm. Supplied in 2m stock lengths or cut lengths up to 2m. May require fine mesh aluminium gauze H62. Polished Brass. Chrome. Satin Chrome. Anodised.

**H1766** Single row ventilator in widths 25mm, 50mm, 75mm or 100mm. Supplied in 2m stock lengths or cut lengths up to 2m. Polished Brass. Chrome. Satin Chrome. Anodised.

**H3002** Square hole ventilator. Holes 12mm square with 6mm web. Sizes 150mm x 75mm, 300mm x 100mm, 600mm x 200mm from widths 75mm, 100mm, 150mm, 200mm, 250mm or 300mm in cut lengths up to 2m. Other sizes made to order. Supplied plain or drilled for fixing. Anodised.

t +44 (0)121 331 1903  
 f +44 (0)121 331 1900  
 e info@savekers.com  
 w www.savekers.com

Please refer to our standard Terms & Conditions.  
 Visit our website or contact us for a copy.

Savekers Limited  
 101 Aldridge Road, Perry Barr,  
 Birmingham, B42 2TS,  
 United Kingdom



# products

## Accessories

### Counters, Cabinets & Fittings



H103



H549

H550

H551



H640

H641

H642

H644



H205



H206



H211



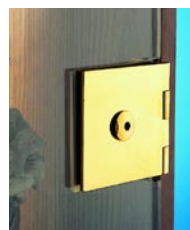
H419



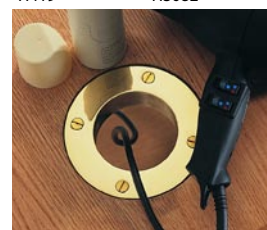
H3082



H207



H212



H1415

**H103** Meter measure marked mm and cm. Government stamped. Brass.

**H205** Hinge section for 6mm or 10mm glass doors. Hinge sections are fitted to top and bottom of glass doors with hinge pins located into barrels recessed into top and bottom of opening. Glass should be bonded into hinge sections. Supplied in pairs for one door up to 500mm long. Where locking is required use H941/H942 featured on page 8. For 6mm glass cutting deduct 40mm from the height of the opening and 8mm from the width of the opening. For 10mm glass cutting deduct 70mm from the height of the opening and 8mm from the width of the opening. Anodised.

**H206** Hinges for 6mm glass to glass fitting. Two sections 38mm x 22mm clamp over glass door and hinge against glass side panels. Glass door and panel must be drilled with 10mm hole. Supplied in pairs. Polished Brass. Chrome. Satin Chrome.

**H207** Hinges for 6mm glass to cabinet fitting. Two sections 38mm x 22mm locate over glass door, are connected with fixing through 10mm hole drilled in door and hinge against a panel screwed to side of opening. Supplied in pairs. Polished Brass. Chrome. Satin Chrome.

**H211** Large hinges for 6mm or 10mm glass to glass fitting. Two sections 75mm x 65mm locate over door, are connected with fixing through 14mm hole drilled in door and hinge against sections similarly fixed to side panels. Supplied in pairs. Polished Brass. Chrome. Satin Chrome.

**H212** Large hinges for 6mm or 10mm glass to cabinet fitting. Two sections 75mm x 65mm locate over door, are connected with fixing through 14mm hole drilled in door and hinge against a panel screwed to side of opening. Supplied in pairs. Polished Brass. Chrome. Satin Chrome.

**H419** Small recessed finger pull 31.7mm diameter x 6mm deep. Chrome.

**H549** Corner section for 6mm panels to match H550 and H551 supplied in cut lengths up to 3m. May require H141 bedding strip. Polished Brass. Chrome. Satin Chrome.

**H550** Centre section for 6mm panels to match H549 and H551 supplied in cut lengths up to 3m. May require H141 bedding strip. Polished Brass. Chrome. Satin Chrome.

**H551** Channel section for 6mm panels to match H549 and H550 supplied in cut lengths up to 3m. May require H141 bedding strip. Polished Brass. Chrome. Satin Chrome.

**H640** Channel section in various sizes subject to availability. Supplied in cut lengths up to 3.66m. Polished Brass. Chrome. Satin Chrome. Polished Aluminium.

**H641** Strip from 1.6mm or 3mm material in widths from 12mm upwards. Supplied in cut lengths up to 3.66m. Polished Brass. Chrome. Satin Chrome.

**H642** Angle section in various sizes from 19mm x 19mm to 51mm x 51mm. Supplied in cut lengths up to 3.66m. Polished Brass. Chrome. Satin Chrome. Polished Aluminium.

**H644** Section with 3mm wall 12mm x 12mm, 19mm x 19mm or 25mm x 25mm in cut lengths up to 2m. 12mm and 19mm in Polished Brass. Chrome. Satin Chrome. 25mm only in Polished Aluminium.

**H1415** Port for desk or worktop fitting. Internal diameter: 12mm, 19mm, 25mm, 32mm, 38mm, 51mm, 63mm and 76mm. Can be supplied with or without fixing holes. Polished Brass. Chrome. Satin Chrome.

**H3082** Continuous hinge 26mm wide when open by 1.83m long. Polished Brass. Chrome. Satin Chrome.

t +44 (0)121 331 1903  
f +44 (0)121 331 1900  
e info@savekers.com  
w www.savekers.com

Please refer to our standard Terms & Conditions.  
Visit our website or contact us for a copy.

**Savekers Limited**  
101 Aldridge Road, Perry Barr,  
Birmingham, B42 2TS,  
United Kingdom



# products



## Bespoke Manufacturing

Counters & Units Made to Order



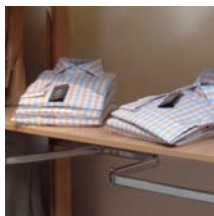
As a specialist in the design and manufacture of high quality, stylish bespoke woodworking solutions, Savekers can produce functional and beautifully crafted designed bespoke counters, reception desks, cabinets and display units to suit customers specific needs.

Our team of skilled craftsmen are experienced in working with all types of wood - solid wood, real wood, veneer, laminate, and to incorporate glass, metalwork, or solid-surfacing. Furthermore, we operate a strict process of traceability to ensure that we only purchase timber from sustainable forests by sourcing material from registered environmentally friendly sources.

Please contact our Sales team for further information and to request a quotation.

## Retail Systems

POS, Storage & Product Display



Providing independent and multiple retailers with flexible interchangeable options for POS, storage and product display. The systems can be complemented by a full range of accessories and finishes.

- Cantel Ikon 7000
- Cantel Focus 8000
- Cantel Vogue 9000
- Cantel Accessories
- Tubus 32
- Sav Oval System
- Bakery Display
- Cable Systems
- Accessories

**Full catalogue available on request**

t +44 (0)121 331 1903  
 f +44 (0)121 331 1900  
 e info@savekers.com  
 w www.savekers.com

Please refer to our standard Terms & Conditions.  
 Visit our website or contact us for a copy.

**Savekers Limited**  
 101 Aldridge Road, Perry Barr,  
 Birmingham, B42 2TS,  
 United Kingdom

# Ranges Available



## **Sliding Door & Window Track**

A range of sliding glass door track systems for either 6mm or 10mm glass.



## **Retail Systems**

Flexible and interchangeable options for POS, storage and product display.



## **Counters, Cabinets & Fittings**

Full display units through to accessories and complementary components.



## **Shelving Systems**

Unobtrusive and flexible solutions for display and storage purposes.



## **Pedestrian Guidance & Barriers**

Functional and durable systems providing solutions for queuing and restricting access.



## **Balustrades & Handrails**

Floor fixing and side mounted balustrading systems and co-ordinating handrails and accessories.



## **Leisure Range**

Traditional and contemporary products and furniture designed for hotel and leisure sectors.



## **Disability Range**

A range of fittings and accessories in compliance with the DDA 2004.



## **Door Furniture & Window Guards**

Providing decorative and practical solutions in a variety of finishes and design themes.



## **Protection Screens**

Protection Screen systems that provide appropriate security when cashiers or staff require it.

Please contact our Sales team for further information, technical assistance or to discuss any requirements.

## **Savekers Limited**

101 Aldridge Road, Perry Barr, Birmingham, B42 2TS United Kingdom

t +44 (0)121 331 1903 f +44 (0)121 331 1900 e [info@savekers.com](mailto:info@savekers.com) w [www.savekers.com](http://www.savekers.com)