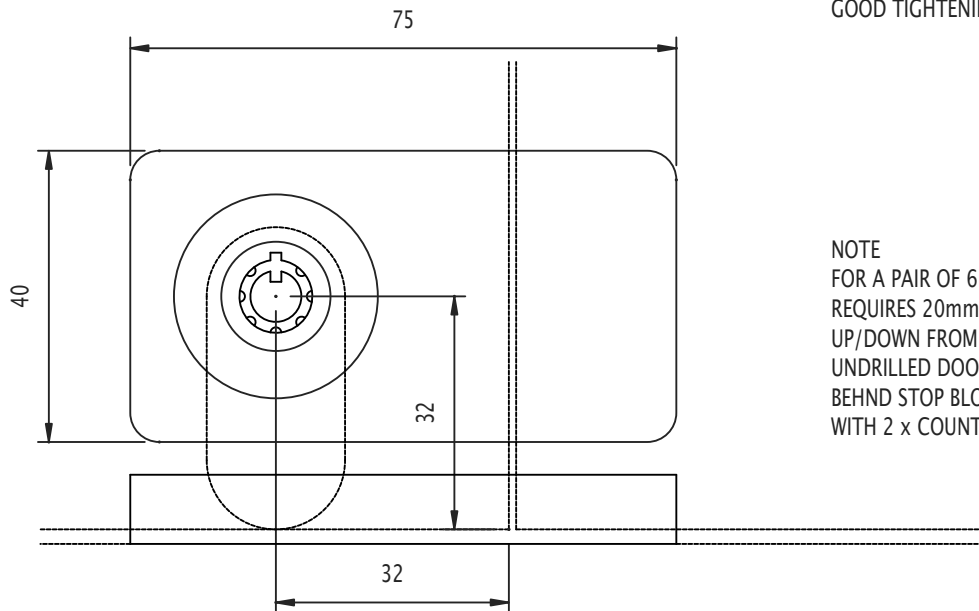


9.5mm x 9.5mm
x 75mm LONG.
PLUS FOAM STRIP.
2 CSK. HOLES
M4.

RUBBER WASHER TO BE PLACED EITHER SIDE OF
HOLE IN GLASS TO ENSURE
GOOD TIGHTENING SURFACE & PROTECTION TO GLASS.



NOTE
FOR A PAIR OF 6mm OR 10mm THICK DOORS.
REQUIRES 20mm HOLE DRILLED IN ONE DOOR. DRILL 32mm
UP/DOWN FROM EDGE. EXTENDED FRONT PLATE PREVENTS
UNDRILLED DOOR FROM BEING OPENED. TONGUE CLOSSES
BEHND STOP BLOCK WHICH IS FITED TO FLOOR OF CABINET
WITH 2 x COUNTERSUNK HOLES M4.

Revision

B

Change Number

CN0053

| | | |
|--|-------------|------------------------|
| This drawing and it's contents are the copyright of Savekers Ltd. It shall not be used or passed on for any reason other than for the purchase or specification of Saveker's products. | DRAWN BY | ML |
| | CHECKED BY | RV |
| | APPROVED BY | CO |
| MATERIAL | DATE | 03-11-2006 |
| Do not Scale If In Doubt - Please Ask | DIM IN MM | THIRD ANGLE PROJECTION |
| TOLERANCES | SCALE | |
| LINEAR ± 0.1 ANGULAR ± 0.5° | 1:1 | |



Savekers Limited
101 Aldridge Road
Birmingham B42 2TS
United Kingdom

t +44 (0) 121 331 1903
f +44 (0) 121 331 1900
e info@savekers.com
w www.savekers.com

TITLE **HIGH SECURITY CAM LOCK FOR A
PAIR OF 6mm OR 10mm HINGING
GLASS DOORS**

A4