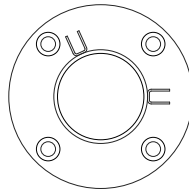
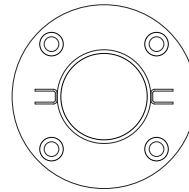


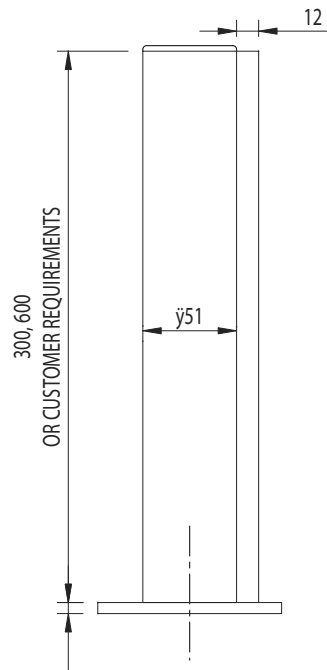
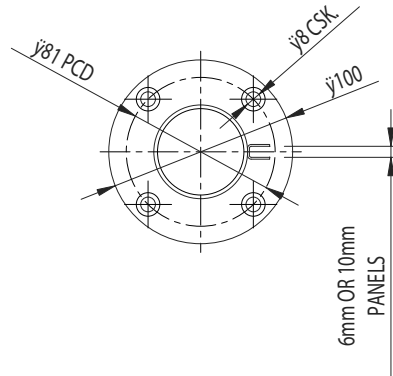
END POST



ANY ANGLE  
CORNER POST



CENTRE POST



Revision

**B**

This drawing and its contents are the copyright of T Saveker Ltd. It shall not be used or passed on for any reason other than for the purchase or specification of T Saveker's products.

DRAWN BY	<b>NS</b>
CHECKED BY	<b>RV</b>
APPROVED BY	<b>CO</b>
DATE	<b>23-08-2002</b>



**T. Saveker Ltd.**  
101 Aldridge Road  
Birmingham B42 2TS  
United Kingdom

t +44 (0) 121 331 1903  
f +44 (0) 121 331 1900  
e info@savekers.com  
w www.savekers.com

MATERIAL

Do not Scale  
If In Doubt - Please Ask

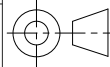
DIM IN MM

THIRD ANGLE  
PROJECTION

TITLE **BOLD SCREEN PILLAR**

TOLERANCES  
**LINEAR  $\pm 0.1$**   
**ANGULAR  $\pm 0.5^\circ$**

SCALE  
**1:4**



**A4**