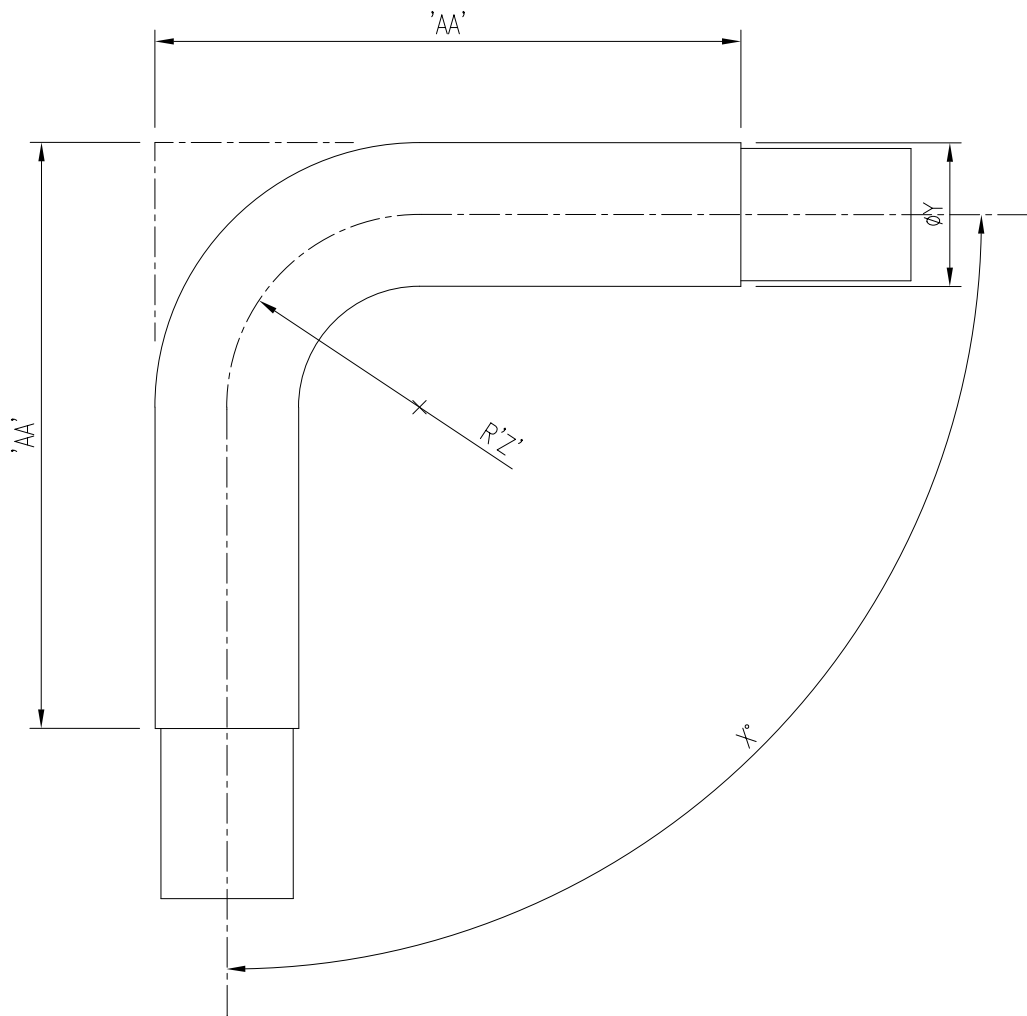


X°	ØY	R'Z'	'AA'
90	19	32	100
	25	38.1	125
	32	54	125
	38	57.2	150
	44.5	67	150
	51	76.2	150

X°	ØY	R'Z'	'AA'
135	19	32	110
	25	38.1	110
	32	54	110
	38	57.2	110
	44.5	67	110
	51	76.2	110



Revision

B

Change Number

CN0035

This drawing and its contents are the copyright of Savekers Ltd. It shall not be used or passed on for any reason other than for the purchase or specification of Saveker's products.

DRAWN BY	ML
CHECKED BY	MV
APPROVED BY	GJR
DATE	22-12-2004



Savekers Limited
101 Aldridge Road
Birmingham B42 2TS
United Kingdom

t +44 (0) 121 331 1903
f +44 (0) 121 331 1900
e info@savekers.com
w www.savekers.com

MATERIAL

DIM IN MM

THIRD ANGLE PROJECTION

TITLE **CORNER ELBOW WITH LINER**

TOLERANCES
LINEAR ± 0.1
ANGULAR ± 0.5°

SCALE **1:2**

90 OR 135 DEGREE

A4