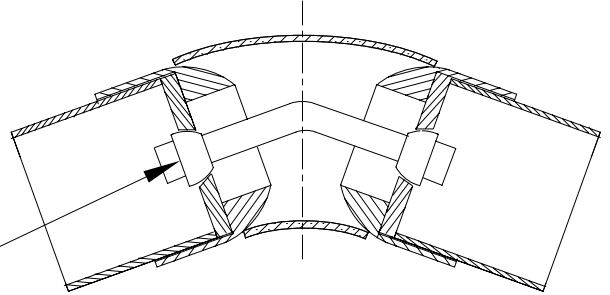
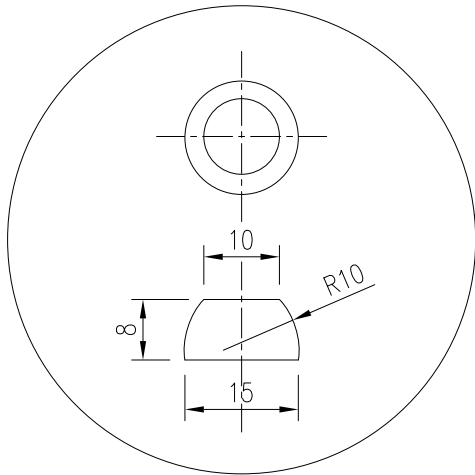
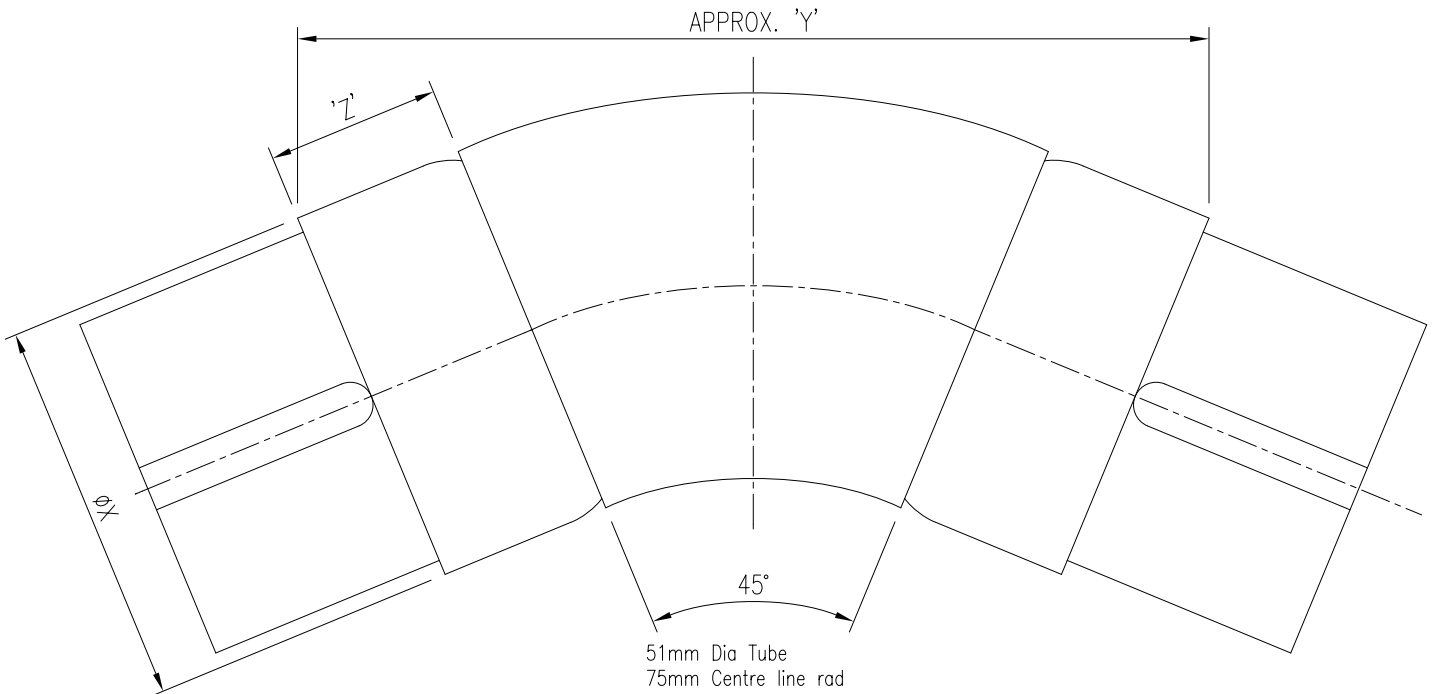


ØX	Y	Z
38	90 @ 45°	18 @ 45°
51	125 @ 45°	23 @ 45°



2 x M8 (25mm underhead) Cap Head Allen Screw.
140 degree angle M8 Tapped Liner Tube



Revision

A

This drawing and its contents are the copyright of Savekers Ltd. It shall not be used or passed on for any reason other than for the purchase or specification of Saveker's products.

DRAWN BY	NS
CHECKED BY	MT
APPROVED BY	CO



Savekers Limited
101 Aldridge Road
Birmingham B42 2TS
United Kingdom

t +44 (0) 121 331 1903
f +44 (0) 121 331 1900
e info@savekers.com
w www.savekers.com

MATERIAL

DATE **09-08-2002**

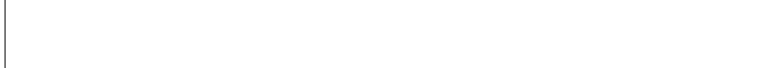
Do not Scale
If In Doubt - Please Ask

DIM IN MM
THIRD ANGLE PROJECTION

TITLE **ADJUSTABLE ELBOW**

TOLERANCES
LINEAR ± 0.1
ANGULAR ± 0.5°

SCALE **1:1**



A4