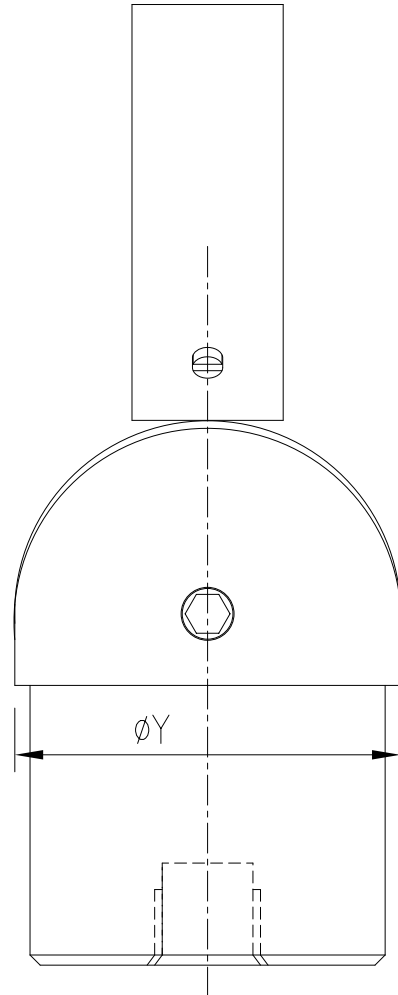
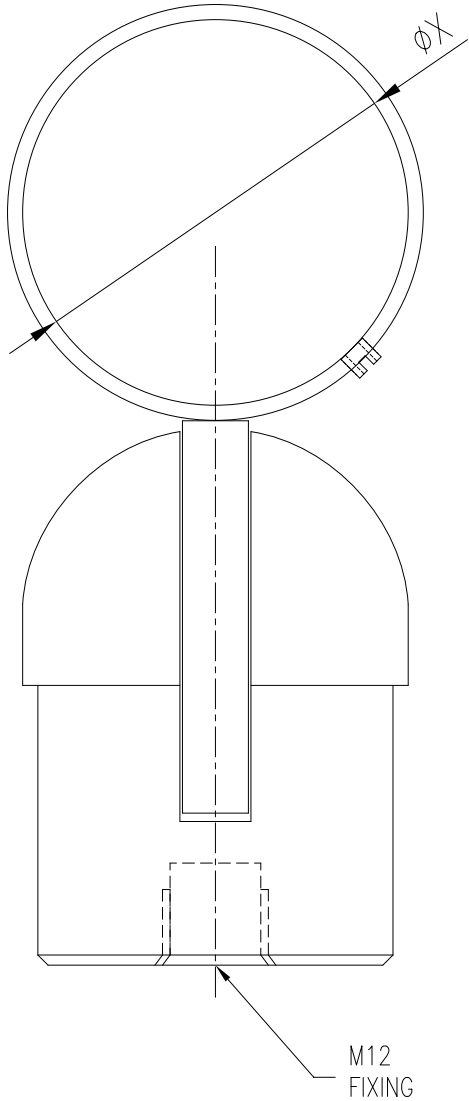


$\phi X$	$\phi Y$
38	38
51	51



Revision

**A**

This drawing and its contents are the copyright of Savekers Ltd. It shall not be used or passed on for any reason other than for the purchase or specification of Saveker's products.

DRAWN BY	<b>WS</b>
CHECKED BY	<b>JOC</b>
APPROVED BY	<b>CO</b>
DATE	<b>30-09-2002</b>



Savekers Limited  
101 Aldridge Road  
Birmingham B42 2TS  
United Kingdom

t +44 (0) 121 331 1903  
f +44 (0) 121 331 1900  
e info@savekers.com  
w www.savekers.com

MATERIAL

DIM IN MM	THIRD ANGLE PROJECTION
-----------	------------------------

TITLE **PIVOTING THROUGH RING**

TOLERANCES  
**LINEAR ± 0.1**  
**ANGULAR ± 0.5°**

SCALE	
<b>1:1</b>	

**A4**