

Revision

B

Change Number

CN0002

This drawing and its contents are the copyright of Savekers Ltd. It shall not be used or passed on for any reason other than for the purchase or specification of Saveker's products.

DRAWN BY	WS
CHECKED BY	MT
APPROVED BY	CO



Savekers Limited
 101 Aldridge Road
 Birmingham B42 2TS
 United Kingdom

t +44 (0) 121 331 1903
 f +44 (0) 121 331 1900
 e info@savekers.com
 w www.savekers.com

MATERIAL

DATE **19-09-2002**

Do not Scale
 If In Doubt - Please Ask

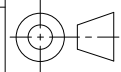
DIM IN MM

THIRD ANGLE PROJECTION

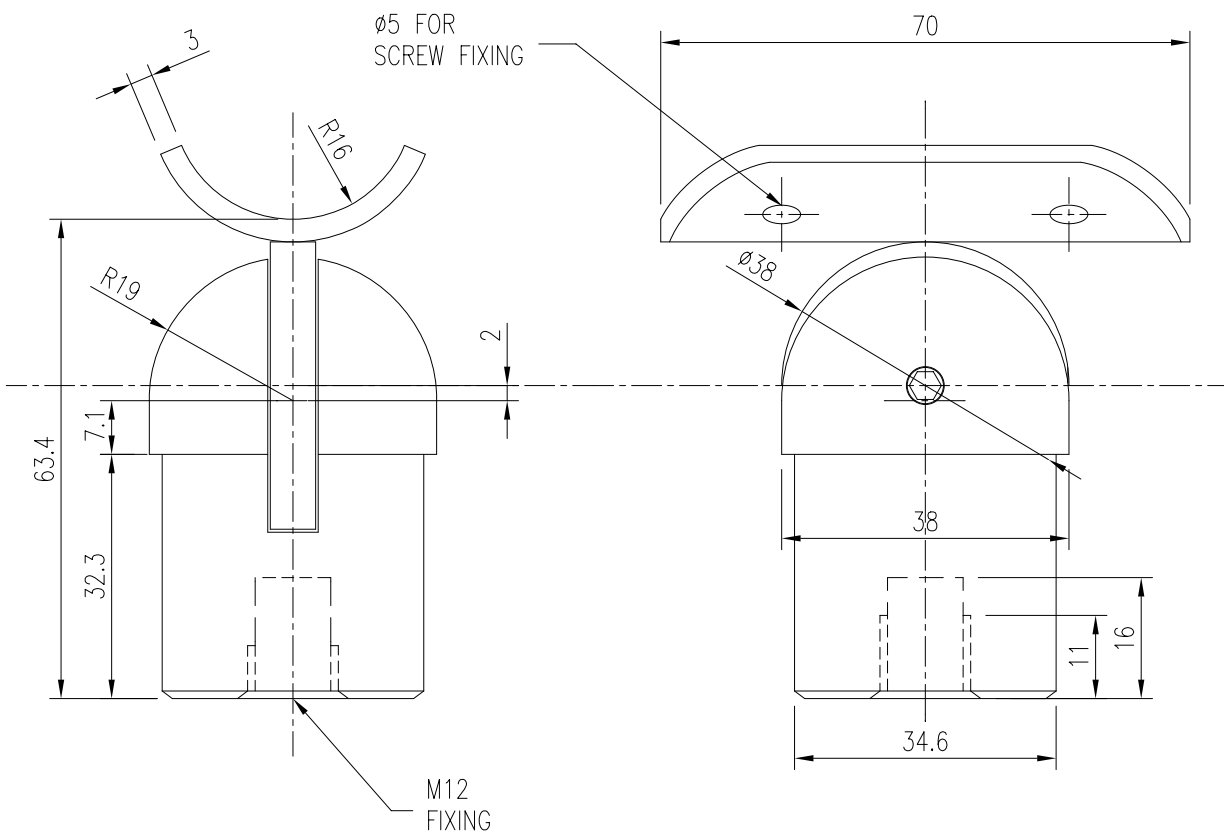
TITLE **PIVOTING SYSTEM JOINT**
51mm

TOLERANCES **LINEAR ± 0.1**
ANGULAR ± 0.5°

SCALE **1:1**



A4



Revision

B

Change Number

CN0002

This drawing and its contents are the copyright of Savekers Ltd. It shall not be used or passed on for any reason other than for the purchase or specification of Saveker's products.

DRAWN BY	WS
CHECKED BY	MT
APPROVED BY	CO



Savekers Limited
101 Aldridge Road
Birmingham B42 2TS
United Kingdom

t +44 (0) 121 331 1903
f +44 (0) 121 331 1900
e info@savekers.com
w www.savekers.com

MATERIAL

DATE
13-09-2002

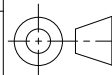
Do not Scale
If In Doubt - Please Ask

DIM IN MM
THIRD ANGLE PROJECTION

TITLE
**PIVOTING SYSTEM JOINT
38mm**

TOLERANCES
**LINEAR ± 0.1
ANGULAR $\pm 0.5^\circ$**

SCALE
1:1



A4