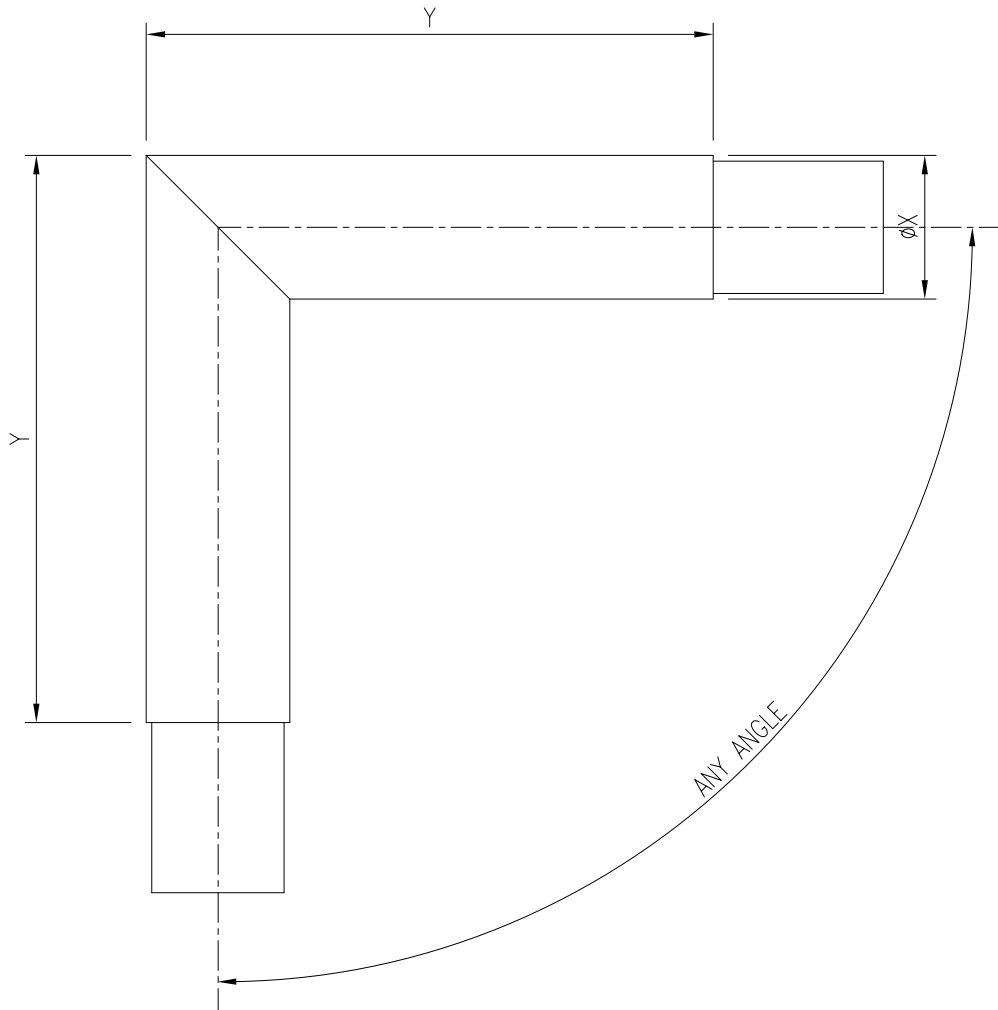


ϕX	Y
38	150
44.5	150
51	150
63	200
76	200



Revision

A

Change Number

CN0036

This drawing and its contents are the copyright of Savekers Ltd. It shall not be used or passed on for any reason other than for the purchase or specification of Saveker's products.

DRAWN BY	ML
CHECKED BY	MV
APPROVED BY	GJR



Savekers Limited
 101 Aldridge Road
 Birmingham B42 2TS
 United Kingdom

t +44 (0) 121 331 1903
 f +44 (0) 121 331 1900
 e info@savekers.com
 w www.savekers.com

MATERIAL

DATE **22-12-2004**

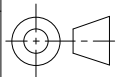
Do not Scale
 If In Doubt - Please Ask

DIM IN MM THIRD ANGLE PROJECTION

TITLE **MITRED CORNER**

TOLERANCES **LINEAR ± 0.1**
ANGULAR $\pm 0.5^\circ$

SCALE **1:2**



A4