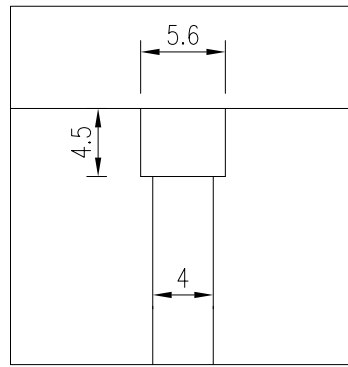
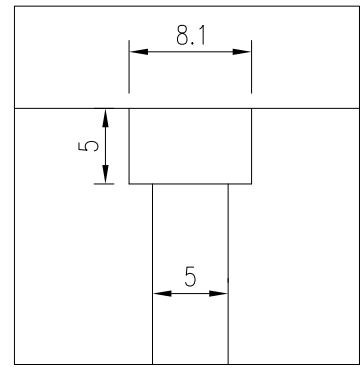


**FINISH**  
STAINLESS STEEL

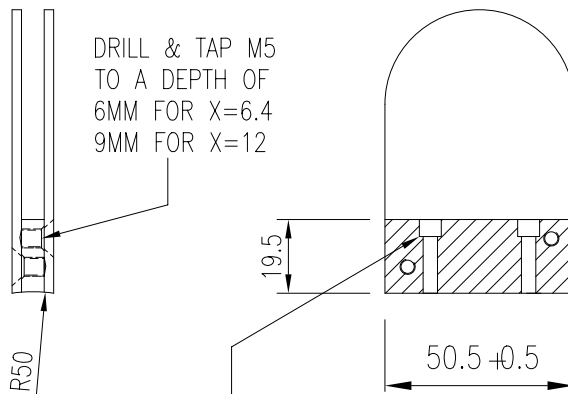
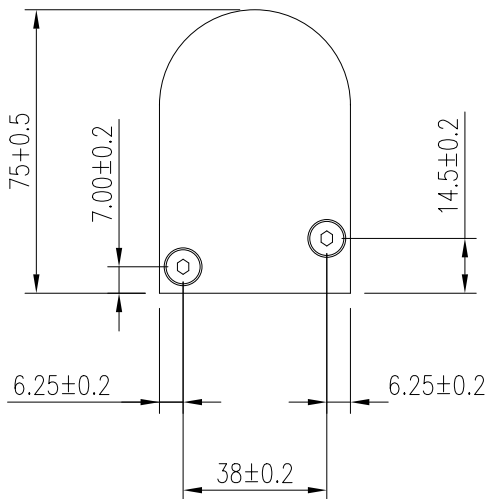
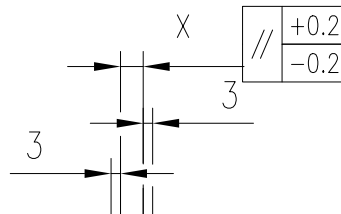
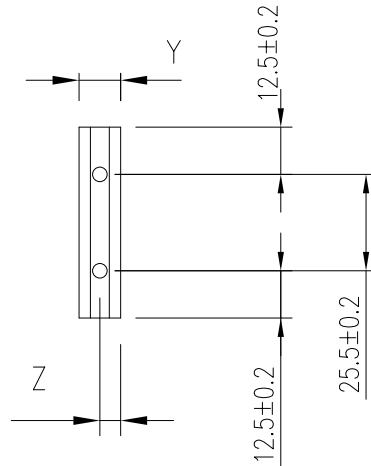
W	X	Y	Z
4BA	6.4	12.4	6.2 <sup>+0.05</sup>
3/16	12.0	18.0	9.0 <sup>+0.05</sup>



SCALE 2:1  
DETAIL COUNTERBORE FOR X=6.4



SCALE 2:1  
DETAIL COUNTERBORE FOR X=10



DRILL & TAP M5  
TO A DEPTH OF  
6MM FOR X=6.4  
9MM FOR X=12

'W'  
DRILL+COUNTERBORE  
TO CLEAR (4BA  
OR 3/16)

Change Number  
**CN0049**

Revision

**D**

This drawing and its contents are the copyright of Savekers Ltd. It shall not be used or passed on for any reason other than for the purchase or specification of Saveker's products.

DRAWN BY	<b>ML</b>
CHECKED BY	<b>MT</b>
APPROVED BY	<b>RV</b>

DATE  
**16-06-2006**



Savekers Limited  
101 Aldridge Road  
Birmingham B42 2TS  
United Kingdom

t +44 (0) 121 331 1903  
f +44 (0) 121 331 1900  
e info@savekers.com  
w www.savekers.com

MATERIAL

Do not Scale  
If In Doubt - Please Ask

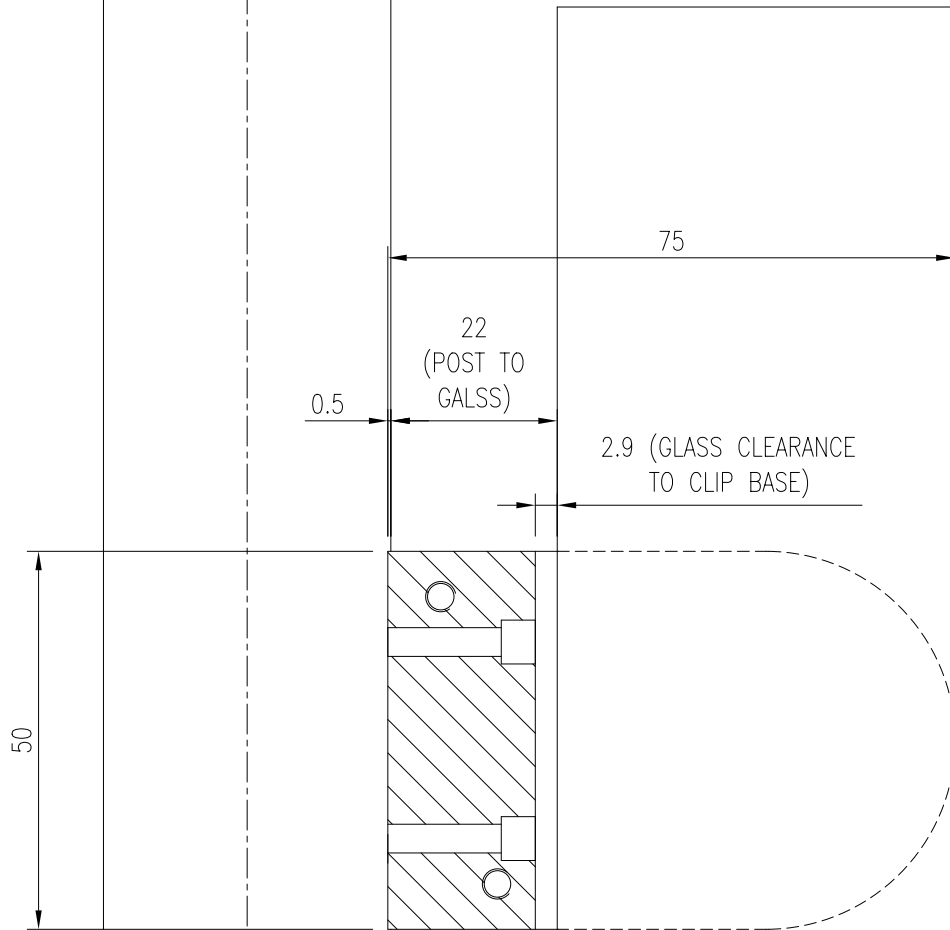
DIM IN MM  
THIRD ANGLE PROJECTION

TOLERANCES  
**LINEAR ± 0.1**  
**ANGULAR ± 0.5°**

SCALE  
**1:2**

TITLE  
**LARGE PANEL CLIP  
FOR 6mm OR 10mm PANELS**

**A4**



Change Number

**CN0049**

Revision

**D**

This drawing and its contents are the copyright of Savekers Ltd. It shall not be used or passed on for any reason other than for the purchase or specification of Saveker's products.

DRAWN BY

**ML**

CHECKED BY

**MT**

APPROVED BY

**RV**



**Savekers Limited**  
 101 Aldridge Road  
 Birmingham B42 2TS  
 United Kingdom

t +44 (0) 121 331 1903  
 f +44 (0) 121 331 1900  
 e info@savekers.com  
 w www.savekers.com

MATERIAL

DATE

**16-06-2006**

Do not Scale  
 If In Doubt - Please Ask

DIM IN MM

THIRD ANGLE  
 PROJECTION

TITLE

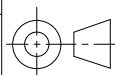
**LARGE PANEL CLIP  
 FOR 6mm OR 10mm PANELS**

TOLERANCES

**LINEAR ± 0.1  
 ANGULAR ± 0.5°**

SCALE

**1:1**



**A4**