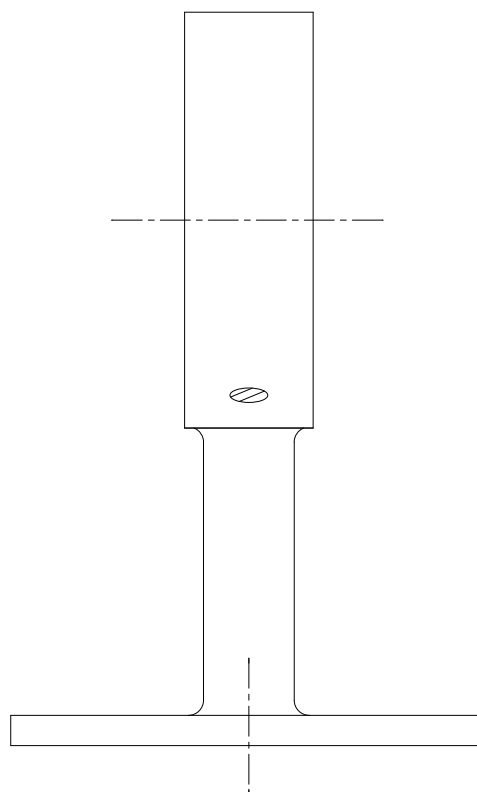
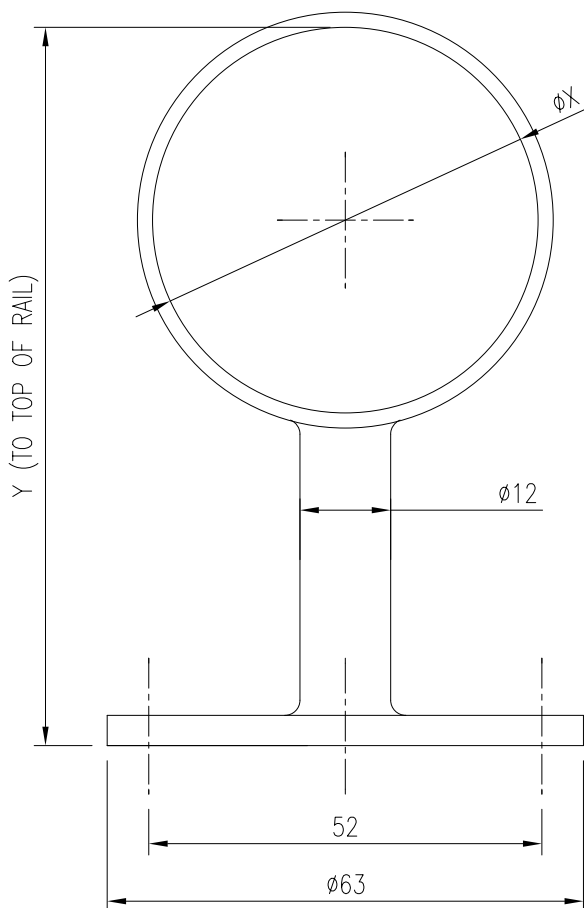
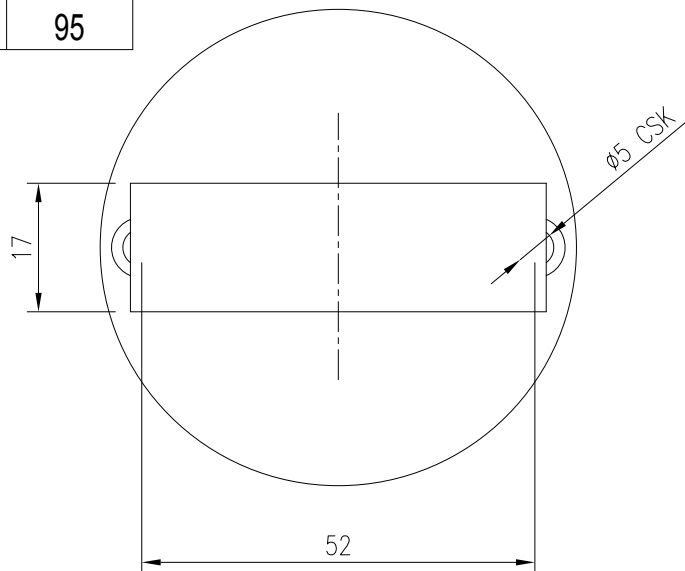


X	Y
32	70
38	75
51	95



Revision

B

This drawing and its contents are the copyright of Savekers Ltd. It shall not be used or passed on for any reason other than for the purchase or specification of Saveker's products.

DRAWN BY	NS
CHECKED BY	MT
APPROVED BY	DSSM



Savekers Limited
101 Aldridge Road
Birmingham B42 2TS
United Kingdom

t +44 (0) 121 331 1903
f +44 (0) 121 331 1900
e info@savekers.com
w www.savekers.com

MATERIAL

DATE	05-08-2002
------	-------------------

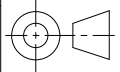
Do not Scale
If In Doubt - Please Ask

DIM IN MM	THIRD ANGLE PROJECTION
-----------	------------------------

TITLE **THROUGH RING HANDRAIL BRACKET**

TOLERANCES
LINEAR ± 0.1
ANGULAR ± 0.5°

SCALE	1:2
-------	------------



A4