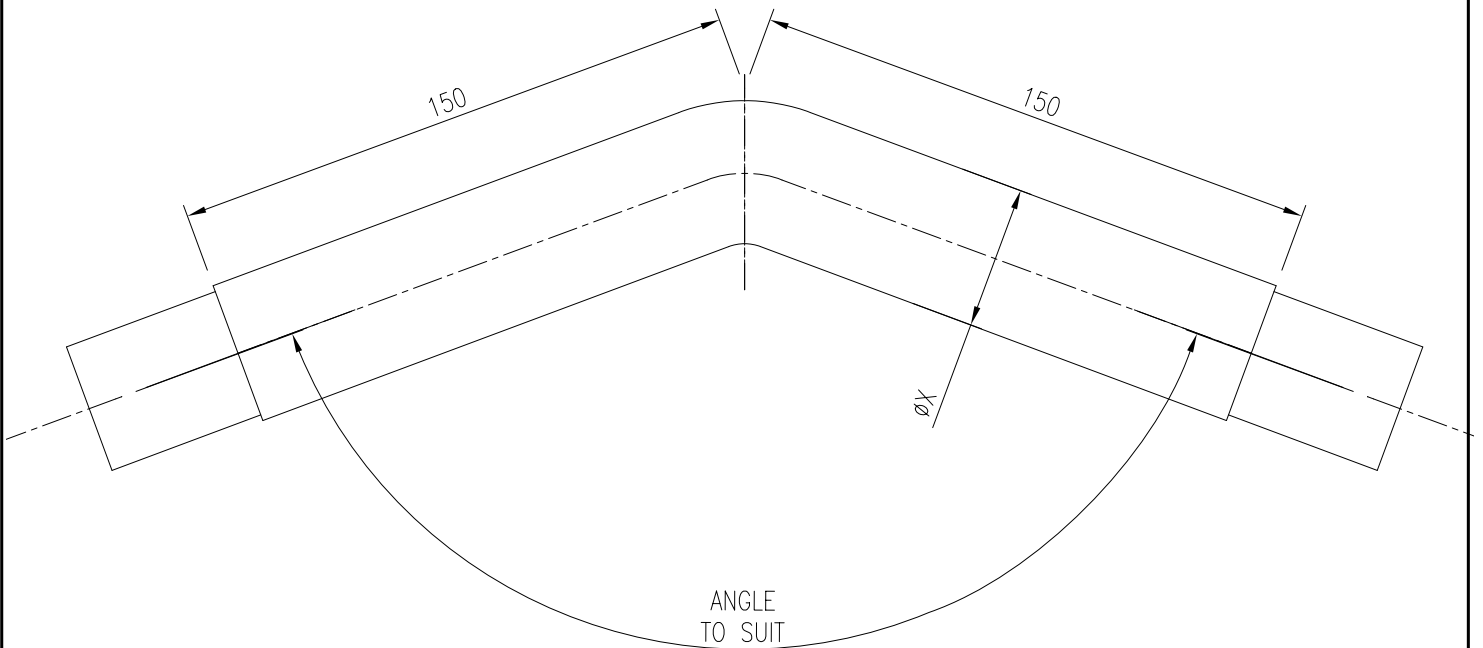


ϕX
38
44.5
51



Revision

B

Change Number

CN0037

This drawing and its contents are the copyright of Savekers Ltd. It shall not be used or passed on for any reason other than for the purchase or specification of Saveker's products.

DRAWN BY	ML
CHECKED BY	MV
APPROVED BY	GJR



Savekers Limited
101 Aldridge Road
Birmingham B42 2TS
United Kingdom

t +44 (0) 121 331 1903
f +44 (0) 121 331 1900
e info@savekers.com
w www.savekers.com

MATERIAL

DATE **22-12-2004**

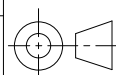
Do not Scale
If In Doubt - Please Ask

DIM IN MM

TOLERANCES
LINEAR ± 0.1
ANGULAR $\pm 0.5^\circ$

SCALE **1:2**

THIRD ANGLE PROJECTION



TITLE **SPECIAL ANGLE BEND**

A4