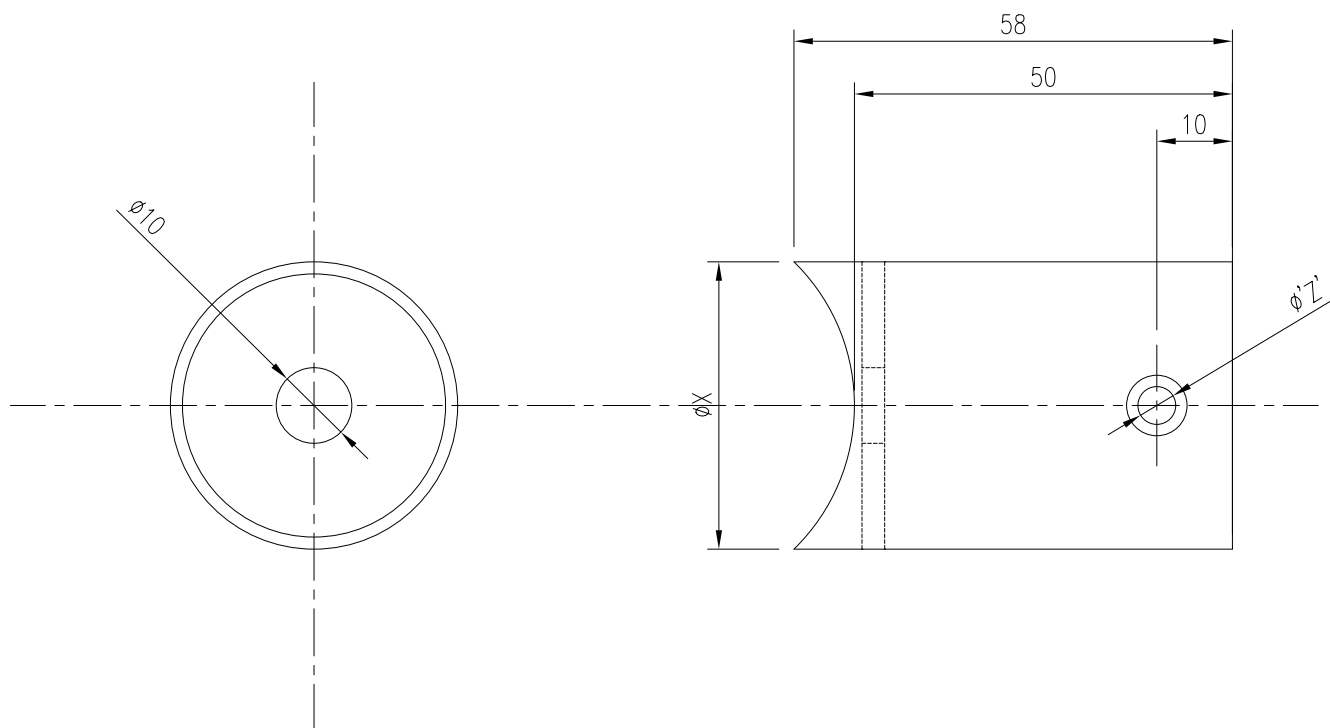


$\phi X$	FOR USE WITH HANDRAIL $\phi$	$\phi 'Z'$
32	38	4mm
38	51	3/16 WHIT. CSK



Revision

**A**

This drawing and its contents are the copyright of Savekers Ltd. It shall not be used or passed on for any reason other than for the purchase or specification of Saveker's products.

DRAWN BY	<b>NS</b>
CHECKED BY	<b>JOC</b>
APPROVED BY	<b>CO</b>



Savekers Limited  
 101 Aldridge Road  
 Birmingham B42 2TS  
 United Kingdom

t +44 (0) 121 331 1903  
 f +44 (0) 121 331 1900  
 e info@savekers.com  
 w www.savekers.com

MATERIAL

DATE	<b>14-08-2002</b>
------	-------------------

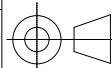
Do not Scale  
 If In Doubt - Please Ask

DIM IN MM	THIRD ANGLE PROJECTION
-----------	------------------------

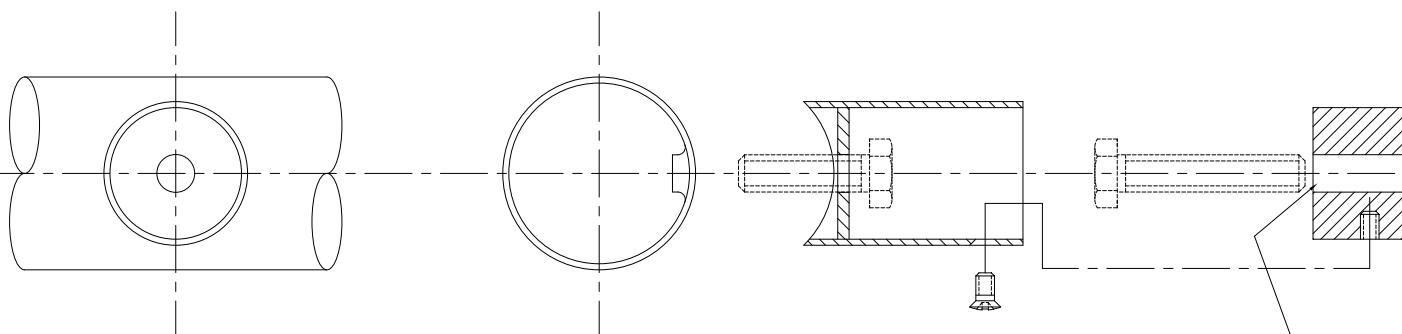
TITLE **HANDRAIL FIXING MOUNT**

TOLERANCES  
**LINEAR  $\pm 0.1$**   
**ANGULAR  $\pm 0.5^\circ$**

SCALE	<b>1:1</b>
-------	------------



**A4**



BOSS HAS 11mm DIA  
FIXING HOLE

Revision

**A**

This drawing and its contents are the copyright of Savekers Ltd. It shall not be used or passed on for any reason other than for the purchase or specification of Saveker's products.

DRAWN BY	<b>NS</b>
CHECKED BY	<b>JOC</b>
APPROVED BY	<b>CO</b>



Savekers Limited  
101 Aldridge Road  
Birmingham B42 2TS  
United Kingdom

t +44 (0) 121 331 1903  
f +44 (0) 121 331 1900  
e info@savekers.com  
w www.savekers.com

MATERIAL

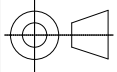
DATE  
**15-01-2003**

Do not Scale  
If In Doubt - Please Ask

DIM IN MM  
THIRD ANGLE PROJECTION

TOLERANCES  
**LINEAR ± 0.1**  
**ANGULAR ± 0.5°**

SCALE  
**1:2**



TITLE  
**HANDRAIL FIXING MOUNT  
ASSEMBLY DETAIL**

**A4**