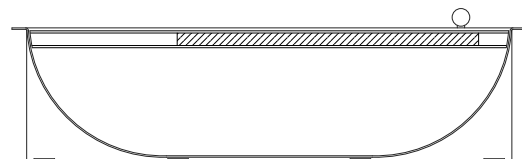
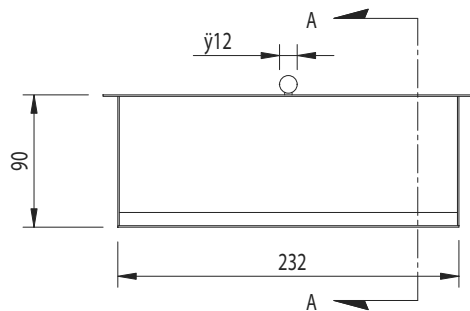


CUTOUT DETAIL IN
COUNTER TOP



SECTION ON A-A

Revision

A

This drawing and its contents are the copyright of T Saveker Ltd. It shall not be used or passed on for any reason other than for the purchase or specification of T Saveker's products.

DRAWN BY	WS
CHECKED BY	GJR
APPROVED BY	NS
DATE	30-10-2002



T. Saveker Ltd.
101 Aldridge Road
Birmingham B42 2TS
United Kingdom

t +44 (0) 121 331 1903
f +44 (0) 121 331 1900
e info@savekers.com
w www.savekers.com

MATERIAL

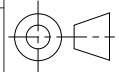
DIM IN MM

THIRD ANGLE PROJECTION

TITLE **CASH TRANSFER TRAY**

TOLERANCES
LINEAR ± 0.1
ANGULAR ± 0.5°

SCALE
1:5



A4