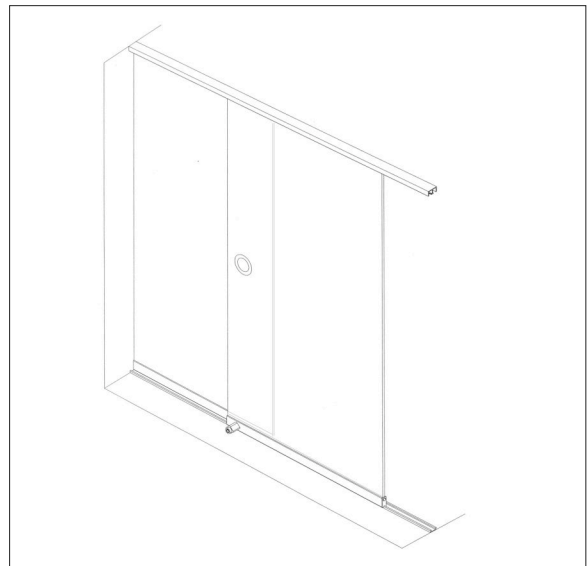




# assembly guide

## Sliding Track

Assembly Guidance Manual  
& Technical Data Sheets



**Savekers Limited**

101 Aldridge Road, Perry Barr, Birmingham,  
B42 2TS

t 0121 331 1903

f 0121 331 1900

e [info@savekers.com](mailto:info@savekers.com)

w [www.savekers.com](http://www.savekers.com)



### 1. Assemble track fittings

Insert all fittings including locks, wheels and end stops into the runner section (H579B). End stops push into runner and fixed with retaining screw (provided). Wheels slide into the bottom section and should be positioned at the end (do not space evenly).

### 2. Fix top and bottom sections

Screw the top section/s into place (H579A or H21) and bottom track H579E to the opening ensuring the tracks are parallel and vertically in line above each other. A plumb bob is recommended for this.

If side channels (H579A or H21) are being used these should be positioned, marked and trimmed if not already done. Fix in place.

### 3. Assemble glass fittings

Fit any finger pulls and glass locks and place glass doors into the runner section (H579B) by first using the glazing gasket (H136). Alternatively the glass can be silicon bonded into the runner.

#### Optional

Stop blocks (H439) may be required to prevent the glass being lifted out. If this is the case, 2 should be fitted into both sides of the top track (H579A). The first block should be screwed into position in the top track (H579A) and then slide glass across and repeat at the other end.

H927 Locks can be prefitted into the runner section at an additional cost. If fitting a 7mm diameter hole is required straight through the rear runner (H579B) for the shoot. The actual lock requires 2 x 3mm holes either side of the 7mm hole for screw fixing (supplied). A template is provided with the lock.

Note: the key number for future reference as we do not retain this information for security reasons.

H582M Finger pull requires a 38mm diameter hole in the glass.

H582 Finger pull requires a 51mm diameter hole in the glass.

H3003Q Finger pull requires a 29mm diameter hole in the glass.

Edging channel and draught excluders can all be clipped onto the edge of the glass.

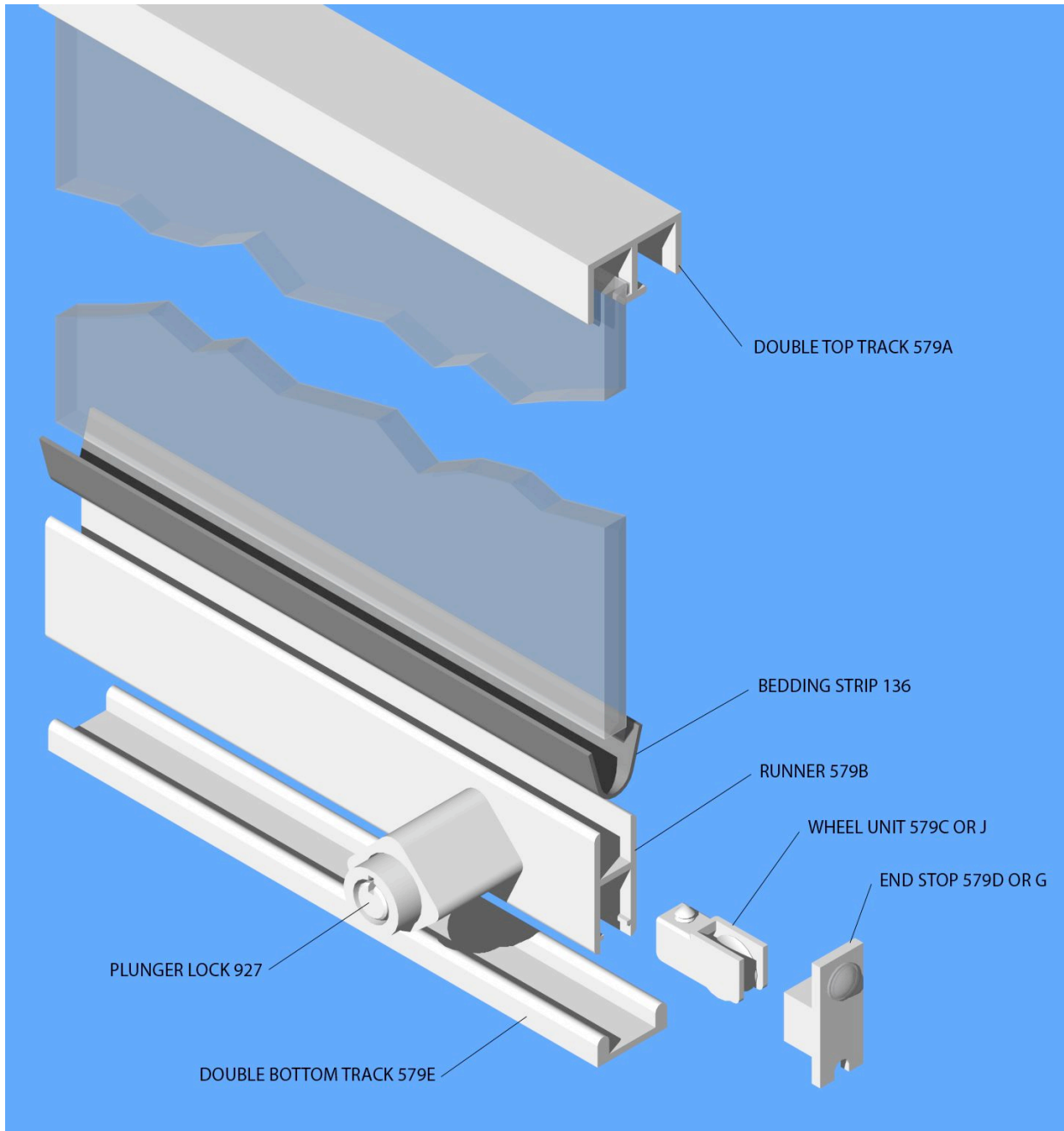
#### Surface Finish

Anodised aluminium is a resilient finish to aluminium extrusions. It can become stained by handling and pick up dust and dirt. If this occurs we recommend wiping the surface with a cloth dipped in soapy water and then drying with a dry soft cloth. This cleaning method should also be used for a polished finish.

**NB: Abrasive cleaners should not be used on any of the surface under any circumstances. They will turn the surface dull and original finish cannot be restored.**

The glass itself can be cleaned as recommended by your glazing supplier.

Power coated finished products should be cleaned regularly with a cloth dipped in warm soapy water and dried with a soft cloth. Particular care should be taken during unpacking and assembly of the components. This finish may scratch and wear over time.





### 1. Assemble track fittings

Insert all fittings including locks, wheels push fit up into the bottom section and end stops into the runner section (H346B). End stops push into runner and fixed with retaining screw (provided). Wheels slide into the bottom section and should be positioned at the end (do not space evenly).

### 2. Fix top and bottom sections

Screw the top section/s into place (H346A or H346S) and bottom track H346E to the opening ensuring the tracks are parallel and vertically in line above each other. A plumb bob is recommended for this.

If side channels (H346A or H436) are being used these should be positioned, marked and trimmed if not already done. Fix in place.

### 3. Assemble glass fittings

Fit any finger pulls and glass locks and place glass doors into the runner section (H346B) by first using the glazing gasket (H141). Alternatively the glass can be silicon bonded into the runner.

#### Optional

Stop blocks (H422) may be required to prevent the glass being lifted out. If this is the case, 2 should be fitted into both sides of the top track (H346A). The first block should be screwed into position in the top track (H346A) and then slide glass across and repeat at the other end.

H927 Lock can be prefitted into the runner section at an additional cost. If fitting a 20mm diameter hole is required through the front runner (H346B) and a 7mm diameter hole in the front of the rear runner. 2 x 3mm diameter holes, tapped, are needed either side for screw fixing (screws supplied). Details can be supplied with the lock on request.

Note: the key number for future reference as we do not retain this information for security reasons.

H359M Finger pull requires a 38mm diameter hole in the glass.

H359 Finger pull requires a 51mm diameter hole in the glass.

H3003T Finger pull requires a 29mm diameter hole in the glass.

Edging channel and draught excluders can all be clipped onto the edge of the glass.

#### Surface Finish

Anodised aluminium is a resilient finish to aluminium extrusions. It can become stained by handling and pick up dust and dirt. If this occurs we recommend wiping the surface with a cloth dipped in soapy water and then drying with a dry soft cloth. This cleaning method should also be used for a polished finish.

**NB: Abrasive cleaners should not be used on any of the surface under any circumstances. They will turn the surface dull and original finish cannot be restored.**

The glass itself can be cleaned as recommended by your glazing supplier.

Power coated finished products should be cleaned regularly with a cloth dipped in warm soapy water and dried with a soft cloth. Particular care should be taken during unpacking and assembly of the components. This finish may scratch and wear over time.

