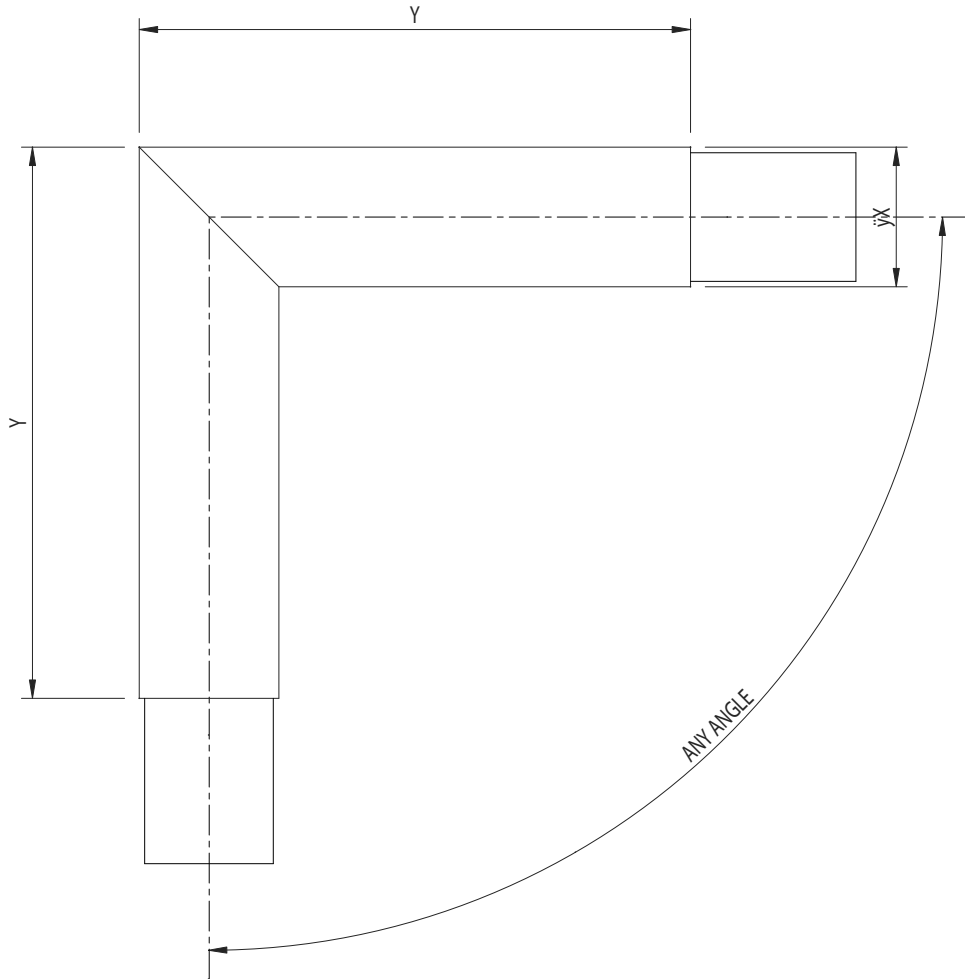


Y	X
38	150
44.5	150
51	150
63	200
76	200



Revision

B

Change Number

CN0036

This drawing and its contents are the copyright of T Saveker Ltd. It shall not be used or passed on for any reason other than for the purchase or specification of T Saveker's products.

DRAWN BY	ML
CHECKED BY	MV
APPROVED BY	GJR



T. Saveker Ltd.
 101 Aldridge Road
 Birmingham B42 2TS
 United Kingdom

t +44 (0) 121 331 1903
 f +44 (0) 121 331 1900
 e info@savekers.com
 w www.savekers.com

MATERIAL

DATE	22-12-2004
------	-------------------

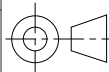
Do not Scale
 If In Doubt - Please Ask

DIM IN MM	THIRD ANGLE PROJECTION
-----------	------------------------

TITLE **MITRED CORNER**

TOLERANCES
LINEAR ± 0.1
ANGULAR ± 0.5°

SCALE	1:2
-------	------------



A4