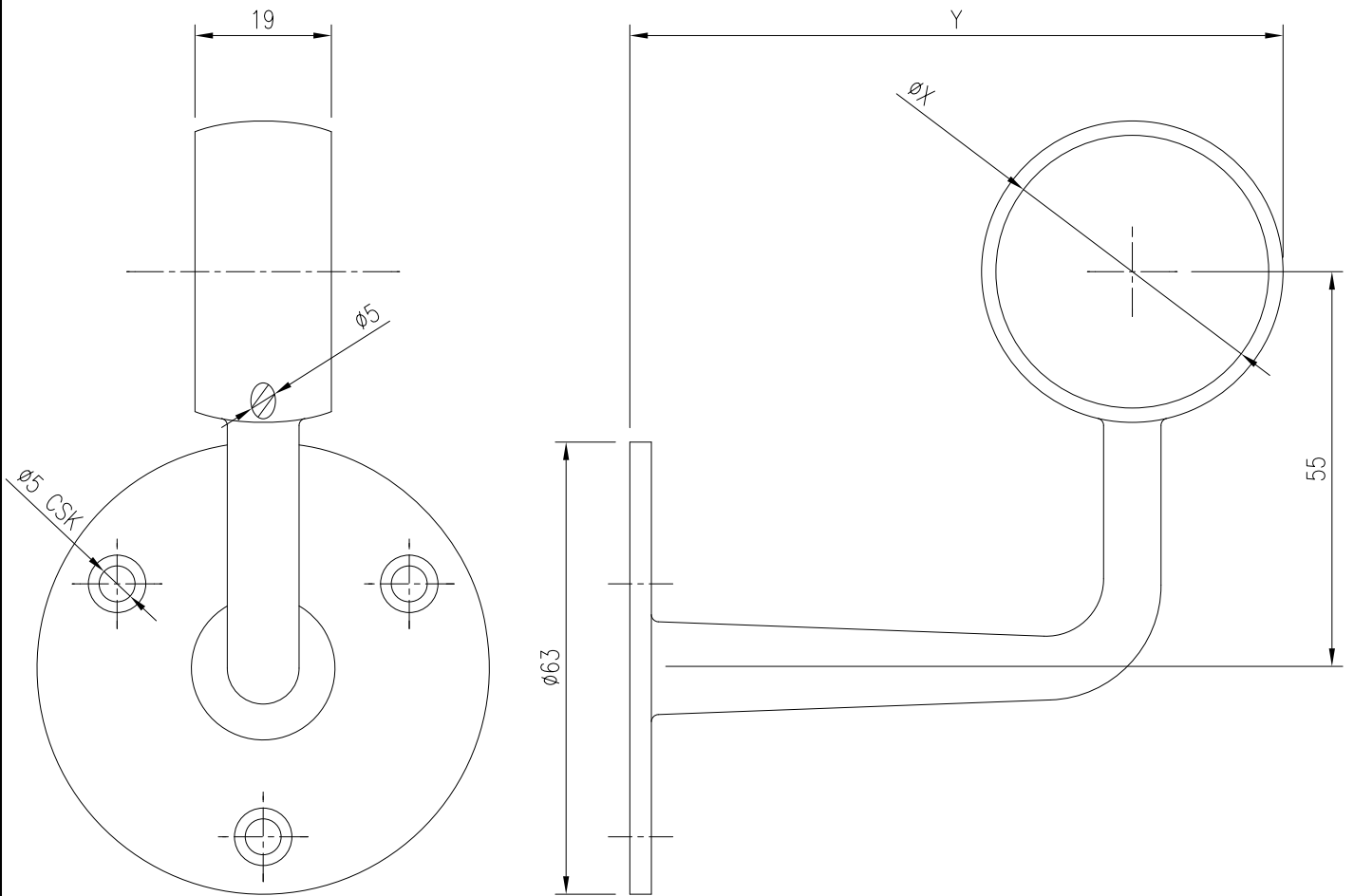


X	Y
32	88
38	90
51	105
63	110
76	125



Revision

A

This drawing and its contents are the copyright of Savekers Ltd. It shall not be used or passed on for any reason other than for the purchase or specification of Saveker's products.

DRAWN BY **NS**
 CHECKED BY **MT**
 APPROVED BY **DSSM**



Savekers Limited
 101 Aldridge Road
 Birmingham B42 2TS
 United Kingdom

t +44 (0) 121 331 1903
 f +44 (0) 121 331 1900
 e info@savekers.com
 w www.savekers.com

MATERIAL

DATE **26-07-2002**

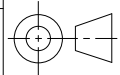
Do not Scale
 If In Doubt - Please Ask

DIM IN MM
 THIRD ANGLE PROJECTION

TITLE **THROUGH RING CRANKED HANDRAIL BRACKET**

TOLERANCES **LINEAR ± 0.1**
ANGULAR ± 0.5°

SCALE **1:1**



A4