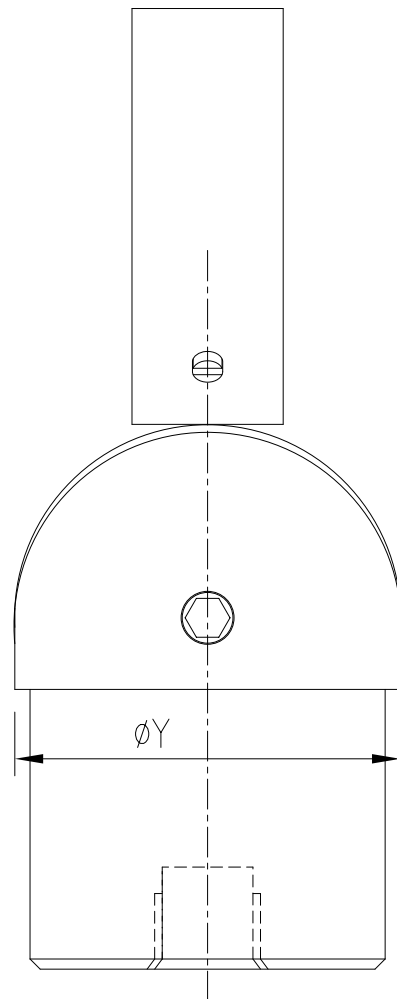
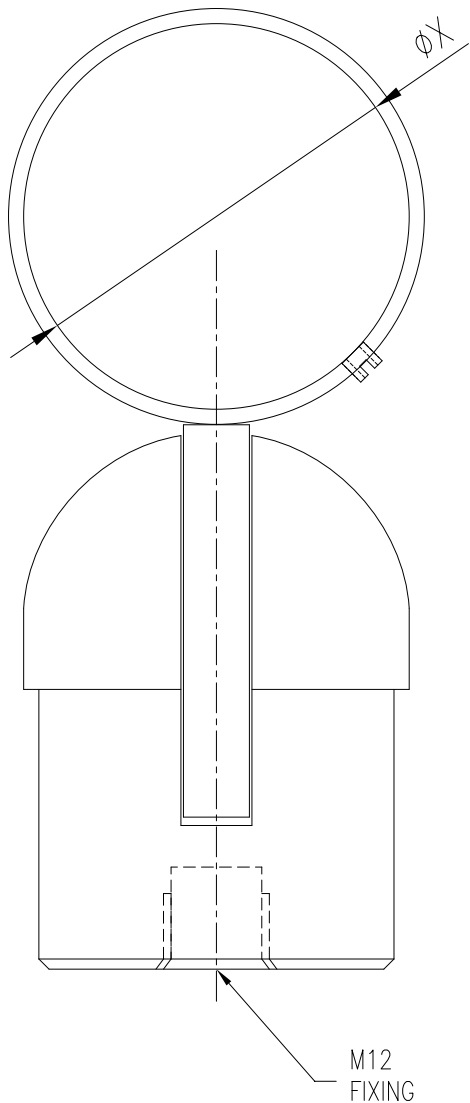


ϕX	ϕY
38	38
51	51



Revision

A

This drawing and its contents are the copyright of Savekers Ltd. It shall not be used or passed on for any reason other than for the purchase or specification of Saveker's products.

DRAWN BY	WS
CHECKED BY	JOC
APPROVED BY	CO
DATE	30-09-2002



Savekers Limited
101 Aldridge Road
Birmingham B42 2TS
United Kingdom

t +44 (0) 121 331 1903
f +44 (0) 121 331 1900
e info@savekers.com
w www.savekers.com

MATERIAL

DIM IN MM	THIRD ANGLE PROJECTION
-----------	------------------------

TITLE **PIVOTING THROUGH RING**

TOLERANCES
LINEAR ± 0.1
ANGULAR ± 0.5°

SCALE	
1:1	

A4