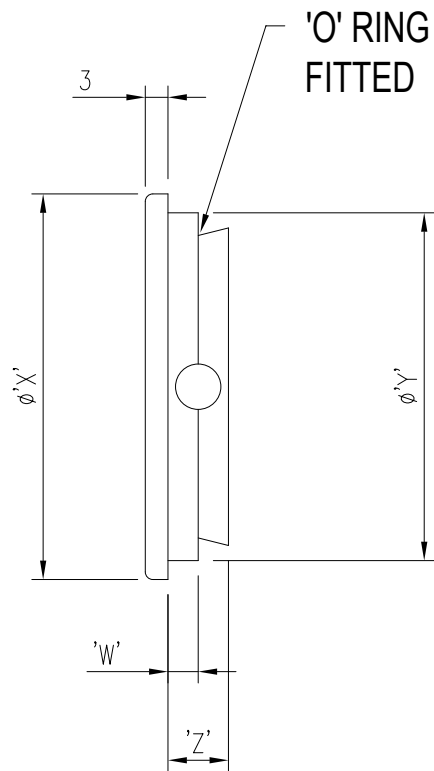
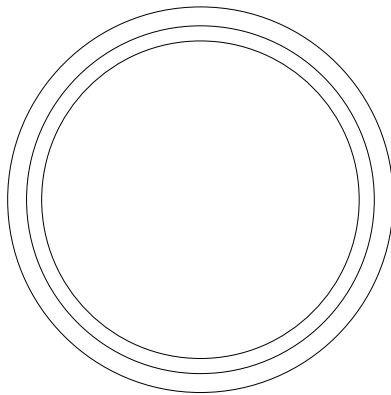


ϕX	ϕY	W	Z
25	22	5	9
32	28.3	5	9
38	34.75	5	9
44.5	41.3	5	9
51	47.45	4	14.5
63	60.2		
76	71		

$\phi 51$ mm STAINLESS STEEL,
 $\phi 63$ mm, $\phi 76$ mm END
 CAPS ARE PLATE WITH A
 40mm LENGTH OF LINER
 SOLDERED. GLUED FOR
 ASSEMBLY



Revision

B

Change Number

CN0034

This drawing and its contents are the copyright of Savekers Ltd. It shall not be used or passed on for any reason other than for the purchase or specification of Saveker's products.

DRAWN BY **ML**
 CHECKED BY **MV**
 APPROVED BY **GJR**



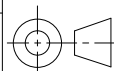
Savekers Limited
 101 Aldridge Road
 Birmingham B42 2TS
 United Kingdom

t +44 (0) 121 331 1903
 f +44 (0) 121 331 1900
 e info@savekers.com
 w www.savekers.com

MATERIAL DATE **22-12-2004**

Do not Scale
 If In Doubt - Please Ask
 TOLERANCES **LINEAR ± 0.1**
ANGULAR $\pm 0.5^\circ$

DIM IN MM THIRD ANGLE PROJECTION
 SCALE **1:1**



TITLE **FLAT END CAP**

A4