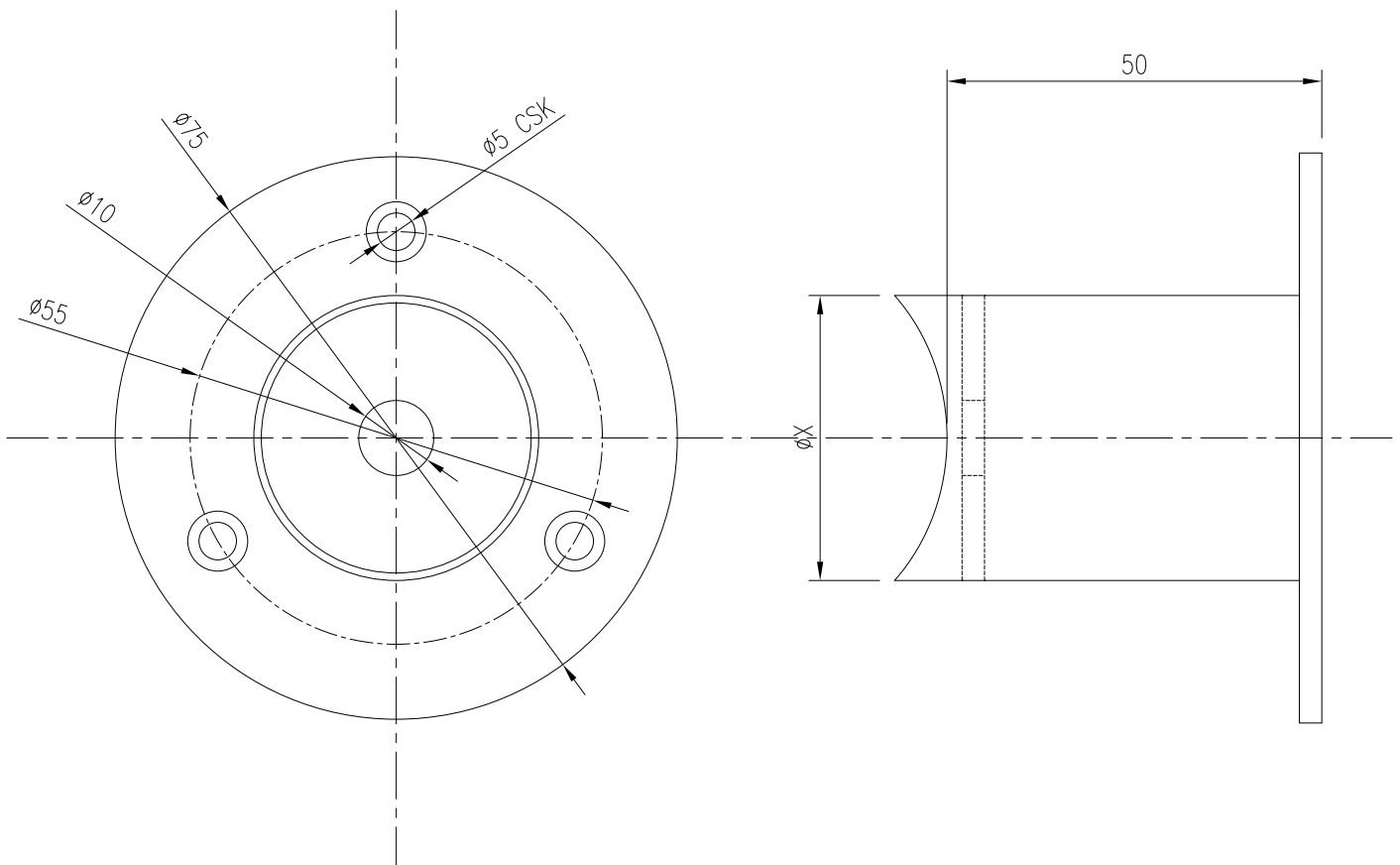


ϕX	FOR USE WITH HANDRAIL ϕ
32	38
38	51



Revision

B

Change Number

CN0007

This drawing and its contents are the copyright of Savekers Ltd. It shall not be used or passed on for any reason other than for the purchase or specification of Saveker's products.

DRAWN BY	WS
CHECKED BY	GJR
APPROVED BY	DSSM



Savekers Limited
101 Aldridge Road
Birmingham B42 2TS
United Kingdom

t +44 (0) 121 331 1903
f +44 (0) 121 331 1900
e info@savekers.com
w www.savekers.com

MATERIAL	DATE	19-12-2002
----------	------	-------------------

Do not Scale If In Doubt - Please Ask	DIM IN MM	THIRD ANGLE PROJECTION
	SCALE	
TOLERANCES	LINEAR ± 0.1 ANGULAR $\pm 0.5^\circ$	SCALE 1:1

TITLE **ADAPTOR BACK PLATE**

A4