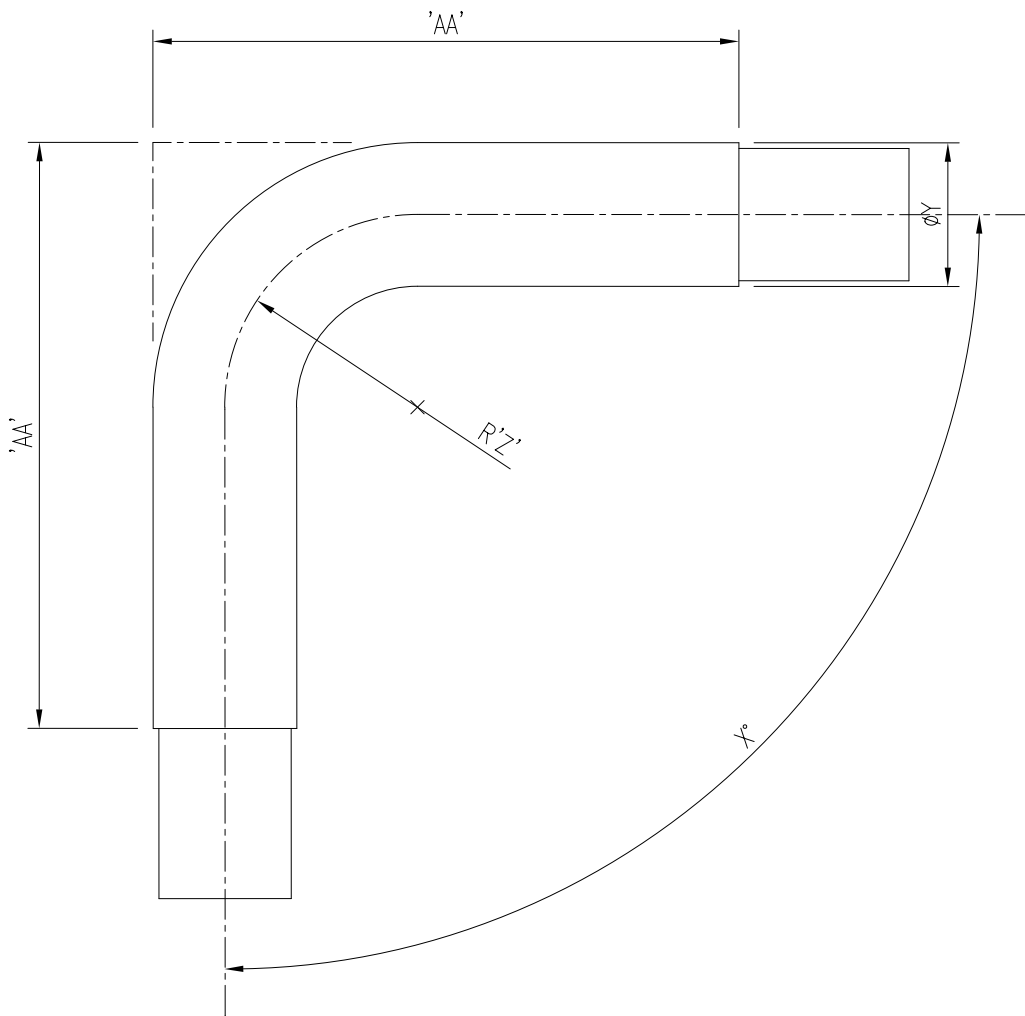


X°	ØY	R'Z'	'AA'
90	19	32	100
	25	38.1	125
	32	54	125
	38	57.2	150
	44.5	67	150
	51	76.2	150

X°	ØY	R'Z'	'AA'
135	19	32	110
	25	38.1	110
	32	54	110
	38	57.2	110
	44.5	67	110
	51	76.2	110



Revision

B

Change Number

CN0035

This drawing and its contents are the copyright of Savekers Ltd. It shall not be used or passed on for any reason other than for the purchase or specification of Saveker's products.

DRAWN BY

ML

CHECKED BY

MV

APPROVED BY

GJR

MATERIAL

DATE

22-12-2004



Savekers Limited
101 Aldridge Road
Birmingham B42 2TS
United Kingdom

t +44 (0) 121 331 1903
f +44 (0) 121 331 1900
e info@savekers.com
w www.savekers.com

Do not Scale
If In Doubt - Please Ask

DIM IN MM

THIRD ANGLE
PROJECTION

TITLE

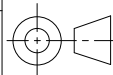
**CORNER ELBOW WITH LINER
90 OR 135 DEGREE**

TOLERANCES

**LINEAR ± 0.1
ANGULAR ± 0.5°**

SCALE

1:2



A4